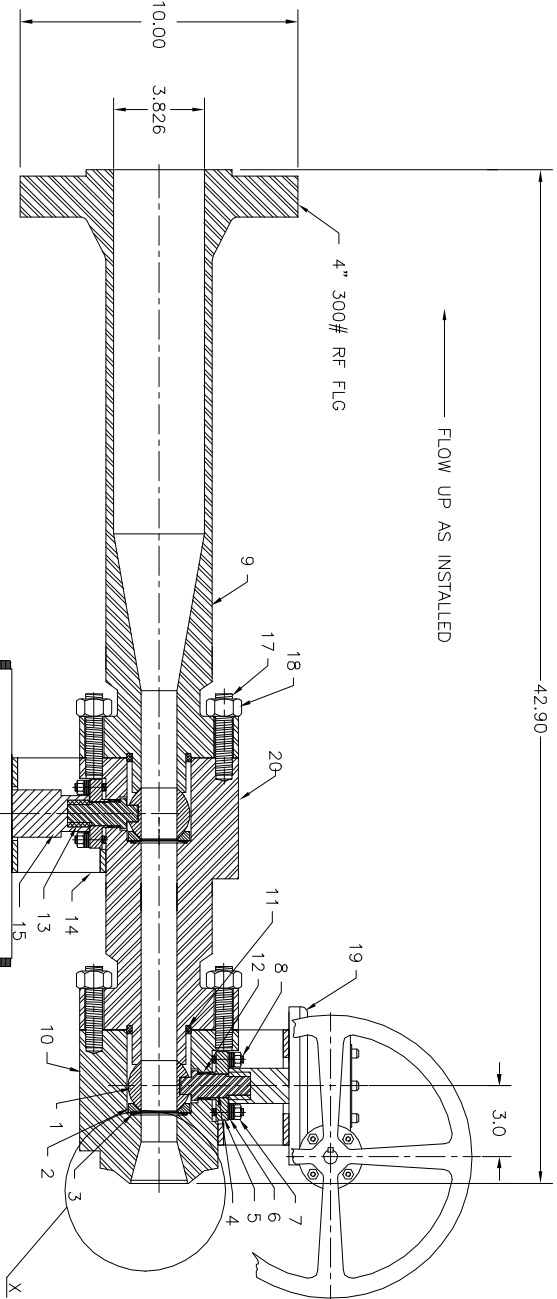
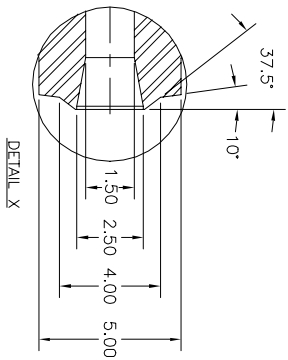
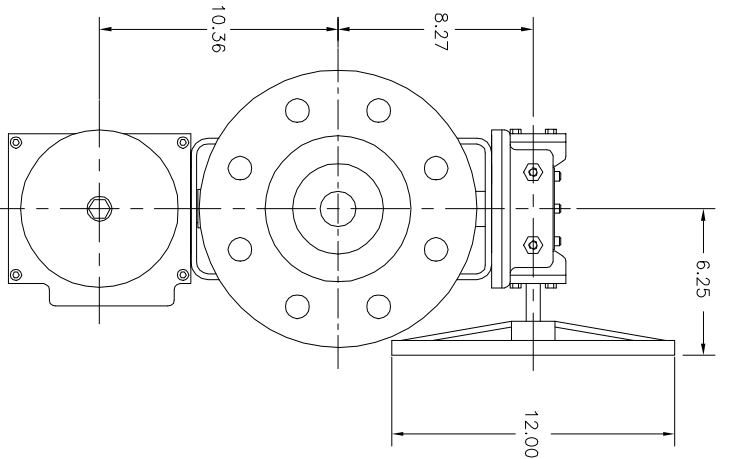


FOR PROPOSAL ONLY



REV	DATE	DESCRIPTION
X	XX/XX/XX	XXXXXXXXXX

CUSTOMER NAME: AG CROSBY
 PROJECT:
 P.D. NO:
 REF. NO:
 SET PRESSURE:
 RESET PRESSURE:
 CAPACITY:
 APPRX. VAL VE WEIGHT: 220 lbs.
 APPRX. OPERATORS WEIGHT: 67 lbs.
 APPRX. TOTAL WEIGHT: 287 lbs.
 TAG NO:

This document contains Valvetechnologies, Inc. proprietary and confidential information. It is loaned for limited purposes only and remains the property of Valvetechnologies, Inc. It may not be reproduced in whole or in part without written consent of Valvetechnologies, Inc. and must not be disclosed to persons not having need of such disclosure consistent with the purpose of the loan. The document is to be returned to Valvetechnologies, Inc. upon request of Valvetechnologies, Inc. and in all events upon completion of the use for which it was loaned.

VALVETECHNOLOGIES
 HOUSTON TEXAS

SCALE: NTS
 DATE: 6-30-99
 APPROVED BY: DRAWN BY: DP
 REVISED

EOL114N24BWRFPZ, ANSI 2500#
 WITH BETTIS RPC-5000-DA AND
 GEAR OPERATED ISOLATION VALVE

MATERIAL: DRAWING NUMBER: EOL114P8

ITEM	DESCRIPTION	MATERIAL	QTY.
1	BALL SEAT	A182-F22/H.F.	2*
2	BELLVILLE SPRING	INC. 7718	2*
3	STEM	A182-F22/H.F.	2
4	GLAND	304 S.S.	2
5	GLAND LOAD SPRING	A194 GR. 8M	48
6	GLAND NUT	A193 GR. 8M	8
7	GLAND STUD	A182-F22/RAM31	8
8	END CAP	A182-F22	1*
9	BODY	17-4	1*
10	BODY GASKET	316 S.S./GRAFOIL	2*
11	GLAND PACKING	1018	6*
12	KEY	1018	4
13	MOUNTING BRACKET	1018	4
14	DRIVE SLEEVE	4130	2
15	ERV VALVE AGITATOR	BETTIS RPC-5000	1
16	BODY STUD	A193 GR. 8M	2
17	BODY STUD	A193 GR. 8M	16
18	ISO VALVE OPERATOR	EYECOC	16
19	BODY/ENDCAP	A182-F22/RAM31	1
20	BODY/ENDCAP	A182-F22/RAM31	1

* Recommended Spare Parts