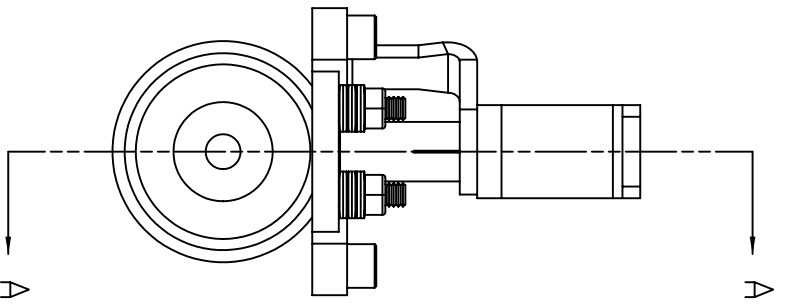
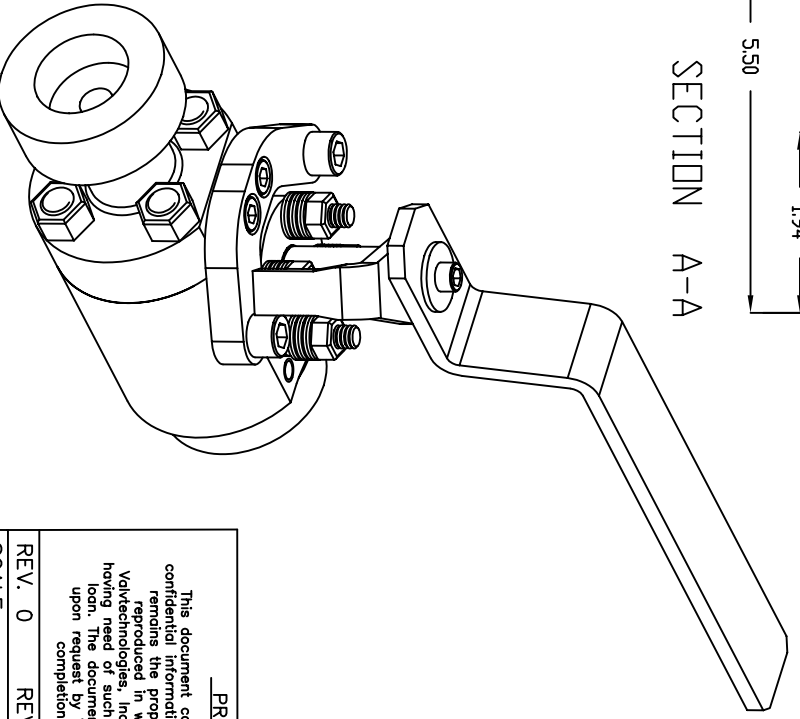


SECTION A-A



PROPRIETARY INFORMATION

This document contains Valvetechnologies, Inc. proprietary and confidential information. It is loaned for limited purposes only and remains the property of Valvetechnologies, Inc. It may not be reproduced in whole or in part without written consent of Valvetechnologies, Inc. and must not be disclosed to persons not having need of such disclosure consistent with the purpose of the loan. The document is to be returned to Valvetechnologies, Inc. upon request by Valvetechnologies, Inc. and in all events upon completion of the use for which it was loaned.

REV. 0	REVISION DATE:
SCALE N.T.S.	APPROVED BY
DATE 06/22/04	DRAWN BY BS
	CHECKED

VALVETECHNOLOGIES

HOUSTON
TEXAS

MATERIAL	DRAWING NUMBER:
3/8" BORE V1-1 3/4" SW, w/LEVER	V1-1-3/4 SW-3/8
ANSI 900, 1500, 2250, 2500 & 3100#	