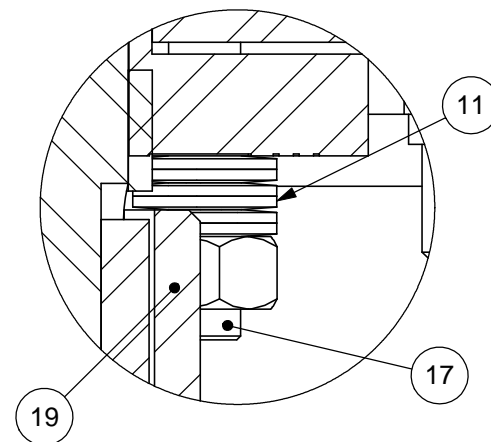
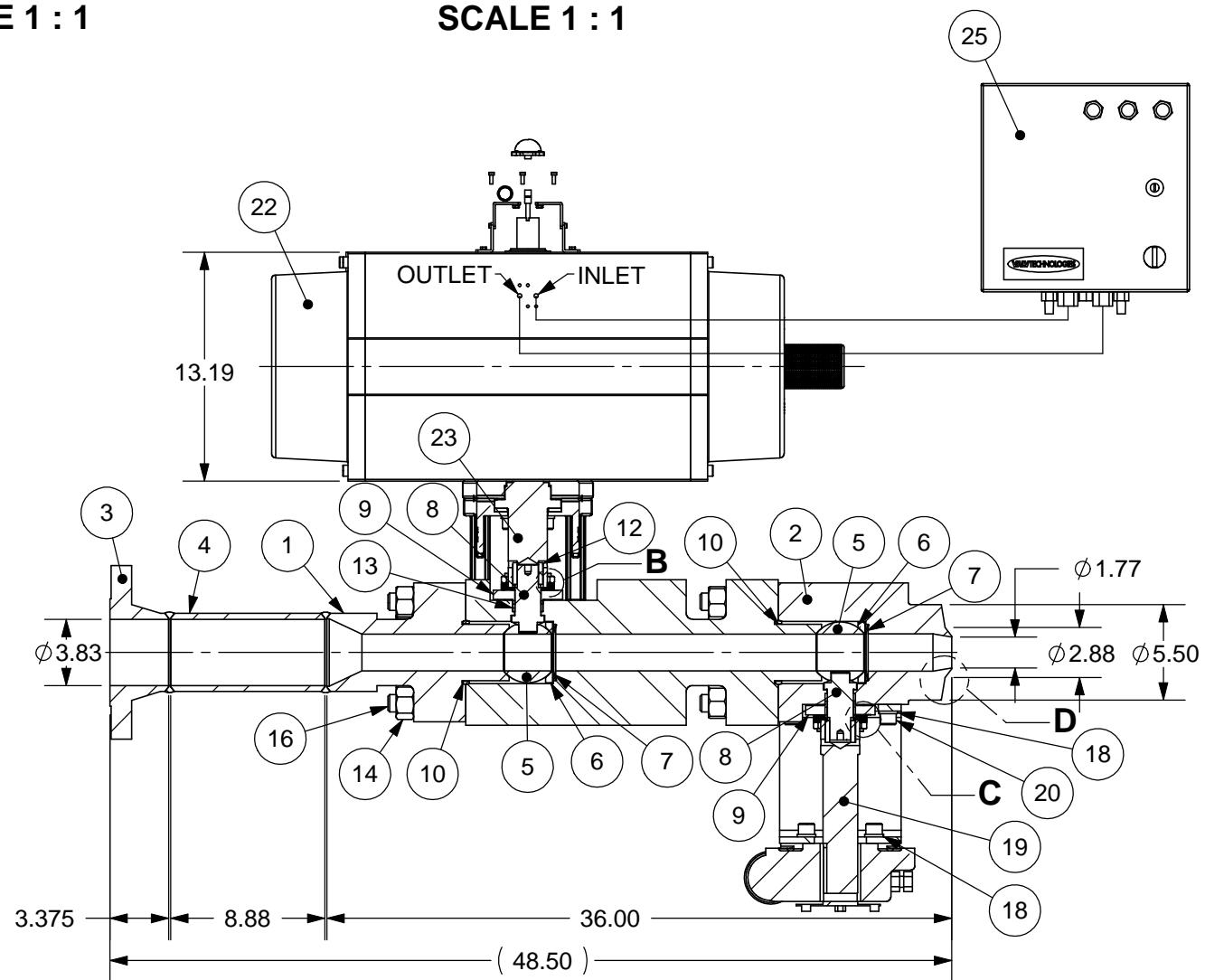


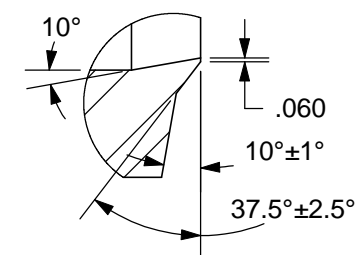
**DETAIL B  
SCALE 1 : 1**



**DETAIL C  
SCALE 1 : 1**



**SECTION A-A**



**DETAIL D  
SCALE 1 : 3**

BILL OF MATERIALS		
ITEM	DESCRIPTION	QTY.
1	ERV END CAP	1
2	BODY	1
3	4.0" 300# FLANGE	1
4	ERV PIPE	1
5	BALL	2
6	UPSTREAM SEAT	2
7	BELLEVILLE SPRING	2
8	STEM	2
9	GLAND	2
10	BODY GASKET	2
11	GLAND SPRING	48
12	KEY	4
13	GLAND PACKING	2
14	BODY NUT	16
15	GLAND NUT	8
16	BODY STUD	16
17	GLAND STUD	8
18	LOCK WASHER	8
19	DRIVE SLEEVE	1
20	CAP SCREW	8
21	EXEEXO IW-4/70 W/24" HW	1
22	VTI 10 ACTUATOR	1
23	DRIVE SLEEVE	1
24	MOUNTING BRACKET	1
25	VTI CONTROL BOX	1
39	MOUNTING PLATE	1
40	MOUNTING PLATE	1

THIRD ANGLE PROJECTION

THIS DRAWING AND THE INFORMATION CONTAINED WITHIN IS CONSIDERED TO BE CONFIDENTIAL AND THE SOLE PROPERTY OF VALVTECHNOLOGIES. THE CONTENTS OF THIS DRAWING MAY NOT BE REPRODUCED OR DISCLOSED VERBALLY OR OTHERWISE OUTSIDE THE HOLDERS OFFICE WITHOUT THE WRITTEN APPROVAL OF VALVTECHNOLOGIES.

DIMENSIONS ARE IN INCHES  
REMOVE BURRS AND BREAK EDGES  
UNLESS OTHERWISE SPECIFIED

CORNER RADII .03 MAX  
.X = ±.030  
.XX = ±.015  
.XXX = ±.005

CONCENTRICITY .010 T.I.R.  
ANGULAR = ±1/2°  
SURFACE TEXTURE 125 RMS  
MIN. INTERNAL FILLETS .015

MODEL FILE		
SCALE	WEIGHT	SHEET SIZE
1:10	1614 LBS	1 OF 1 B
DRAWN BY	DATE	
DCE	01/09/13	
ENGINEER	DATE	
RJL	01/09/13	
MFG RELEASE	DATE	
RH	01/24/13	

**VALVTECHNOLOGIES**

5904 BINGLE ROAD, HOUSTON TEXAS 77092  
WWW.VALV.COM

TITLE: 2.5" 2500# SPECIAL BW NOZZLE INLET  
4.0" 300# RF OUTLET 2.13" BORE ERV  
W/ VTI 10 ACTUATOR & VTI CONTROL BOX  
ERV WITH CONTROLS