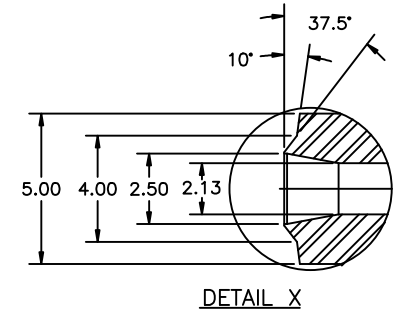


BILL OF MATERIAL			
ITEM	DESCRIPTION	MATERIAL	QTY.
1	BALL	410 S.S./RAM31	1*
2	UPSTREAM SEAT	A182-F22/H.F.	1*
3	BELLEVILLE SPRING	Inc. 718	1*
4	STEM	A286/H.F.	1
5	GLAND	316 S.S./H.F.	1
6	GLAND LOAD SPRING	302 S.S.	24
7	GLAND NUT	A194 Gr. 8M	4
8	GLAND STUD	A193 Gr. 8M	4
9	END CAP	A182-F22/RAM31	1*
10	BODY	A182-F22	1
11	BODY GASKET	17-4	1*
12	GLAND PACKING	316 S.S./GRAFOIL	3
13	KEY	1018	2
14	MOUNTING BARCKET	1018	1
15	DRIVE SLEEVE	4130	1
16	ERV VALVE ACTUATOR	MORIN 79-210U-D000-V	1
17	BODY STUD	A193 Gr. 8M	8
18	BODY NUT	A194 Gr. 8M	8

* Recommended Spare Parts



FOR
PROPOSAL
ONLY

					 THIRD ANGLE PROJECTION		DIMENSIONS ARE INCHES		MODEL FILE		 VALVTECHNOLOGIES <small>5000 WARE ROAD, TUSTEIN, TEXAS 75781</small> WWW.VALVTECH.COM	
					THIS DRAWING AND THE INFORMATION CONTAINED HEREIN ARE THE PROPERTY OF VALVTECHNOLOGIES. THE USER AGREES TO HOLD VALVTECHNOLOGIES HARMLESS FROM AND AGAINST ALL SUCH CLAIMS, DAMAGES AND LOSSES, INCLUDING REASONABLE ATTORNEY'S FEES, WITHOUT THE WRITTEN APPROVAL OF VALVTECHNOLOGIES.		FOR SALES ORDER		SCALE 1:1	WEIGHT LBS		
REV.	DATE	DESCRIPTION	EDN	BY	APR	ACTUATOR ORIENTATION IS FOR ILLUSTRATION PURPOSES ONLY		DRAWN BY DCE		TITLE ANSI 2500# WITH VTI ACTUATOR ERV		
								ENGINEER RH		DATE 02/18/13		EOL121P5-VTIPKG