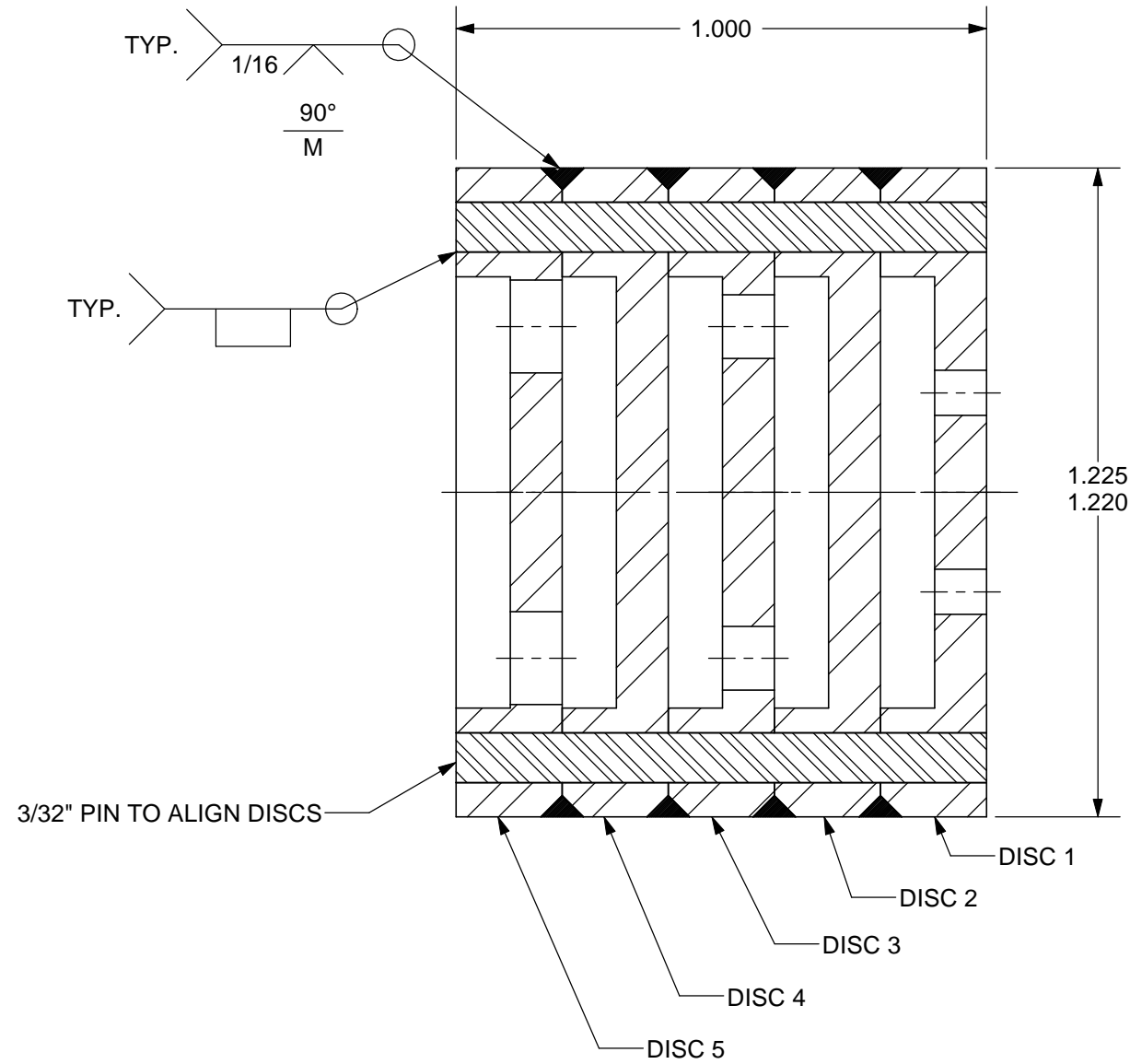
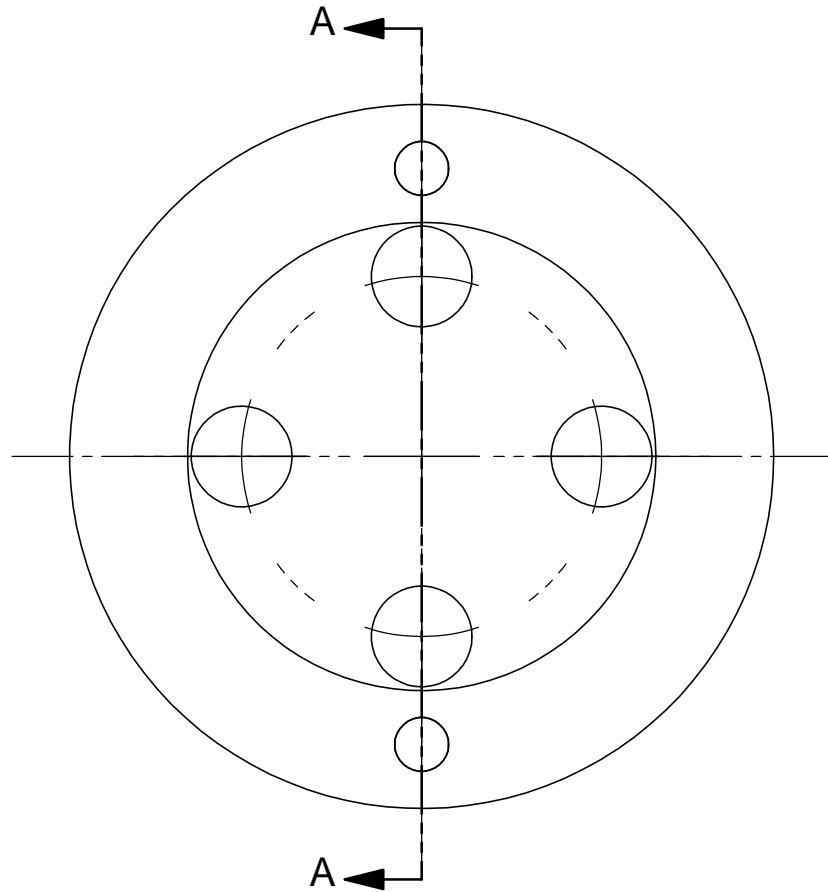
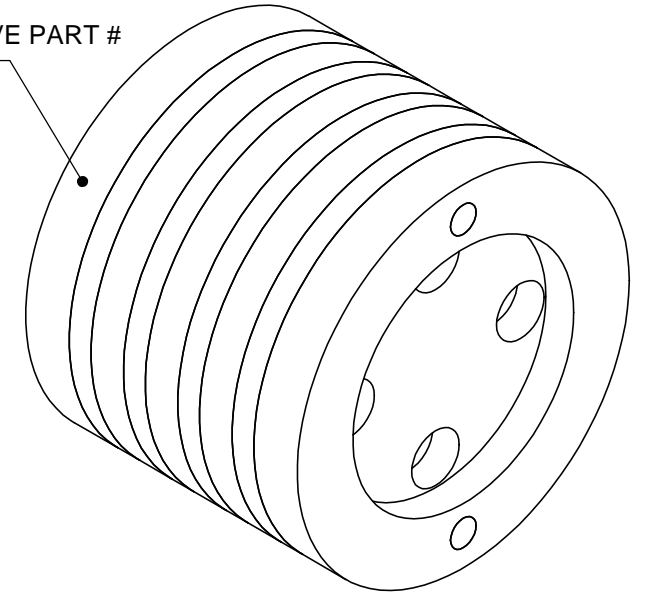


NOTES:

1. WELDING TO ASME SECTION II PART C, VIII DIV 1, IX, B16.34, B31.3, OR B31.1 AS APPLICABLE
2. MACHINE O.D. AND LENGTH TO DIMENSIONS SPECIFIED AFTER WELDING

STAMP OR ENGRAVE PART #
AND WO # HERE



SECTION A-A

THIRD ANGLE PROJECTION

THIS DRAWING AND THE INFORMATION CONTAINED WITHIN IS CONSIDERED TO BE CONFIDENTIAL AND THE SOLE PROPERTY OF VALVTECHNOLOGIES. THE CONTENTS OF THIS DRAWING MAY NOT BE REPRODUCED OR DISCLOSED VERBALLY OR OTHERWISE OUTSIDE THE HOLDERS OFFICE WITHOUT THE WRITTEN APPROVAL OF VALVTECHNOLOGIES.

DIMENSIONS ARE IN INCHES
REMOVE BURRS AND BREAK EDGES
UNLESS OTHERWISE SPECIFIED

CORNER RADII	.03 MAX
.X	± .030
.XX	± .015
.XXX	± .005
CONCENTRICITY	.010 T.I.R.
ANGULAR	± 1/2°
SURFACE TEXTURE	125 RMS
MIN. INTERNAL FILLETS	.015

MODEL FILE MU-05-SZ-ZF01-VTIPKG			
SCALE	WEIGHT	SHEET	SIZE
3:1	0.25 LBS	1 OF 1	B
DRAWN BY	DATE		
BS	1/05/12		
ENGINEER	DATE		
CWF	01/09/12		
MFG RELEASE	DATE		
-	-		

VALVTECHNOLOGIES

5904 BINGLE ROAD, HOUSTON TEXAS 77092
WWW.VALV.COM

TITLE: 0.63" ORIFICE PLATE ASSY
.17/.21/.24/.26/.35 EQUIVALENT DIA.

MU-05-SZ-ZF01-VTIPKG

REV 1