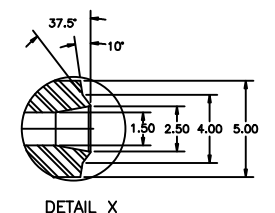
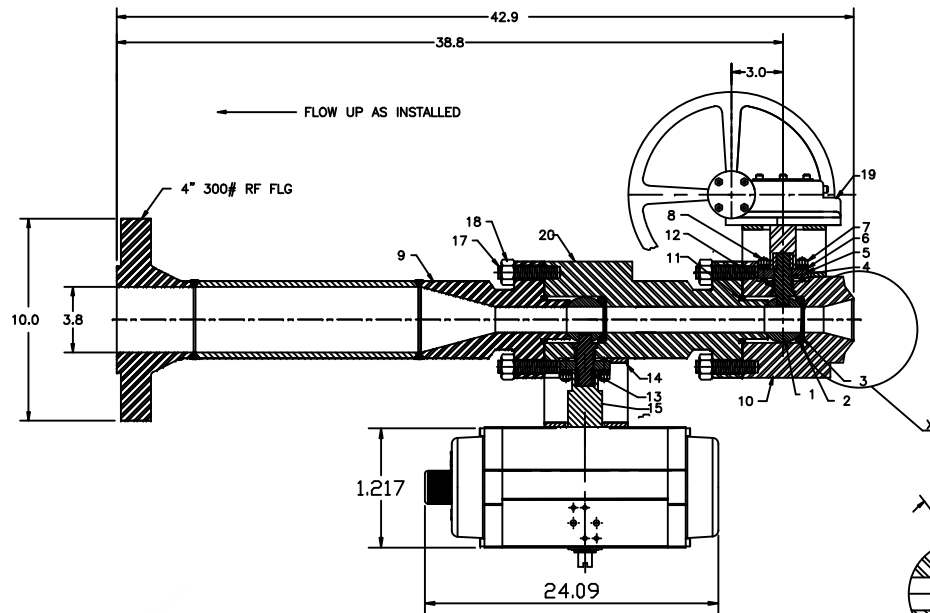
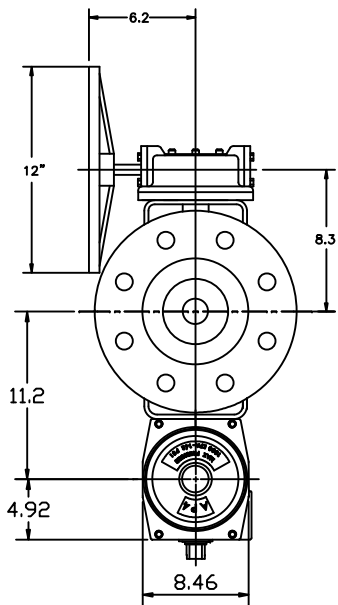


BILL OF MATERIAL			
ITEM	DESCRIPTION	MATERIAL	QTY.
1	BALL	410 S.S./PMS1	1
2	UPSTREAM BEAT	A180-P22/ALF	1
3	BELLLOUPE SPRING	202 S.S.	1
4	STEM	316 S.S./ALF	1
5	302 S.S.	302 S.S.	1
6	GLAND LOAD SPRING	A183 C. BR	1
7	GLAND HIT	A183 C. BR	1
8	GLAND STUD	A182-P22/PMS1	1
9	ISO OHP	A182-P22	1
10	BODY	17-4	1
11	BODY BASKET	A182-P22	1
12	GLAND PACKING	316 S.S./BPPOL	1
13	KEY	1018	1
14	MOUNTING BRACKET	1018	1
15	PISTON	1018	1
16	ERV VALVE ACTUATOR	1018	1
17	BODY STUD	A183 C. BR	1
18	ISO VALVE OPERATOR	A183 C. BR	1
19	ISO VALVE OPERATOR	ERDSD M-3	1
20	ISO VALVE OPERATOR	A182-P22/PMS1	1

* Recommended Spare Parts



FOR PROPOSAL ONLY

REV.	DATE	DESCRIPTION	ECN	BY	APR	INCHES	FOR SALES ORDER	ACTUATOR ORIENTATION IS FOR ILLUSTRATION PURPOSES ONLY	SCALE	WEIGHT	SHEET	OF	DATE	TITLE	PROJECT
						INCHES	FOR SALES ORDER	ACTUATOR ORIENTATION IS FOR ILLUSTRATION PURPOSES ONLY	1/4"	LBS	1	1	02/18/13	ISO VALVE WITH VTI ACTUATOR	ISO VALVE IN LINE
													02/18/13	EOL114P8-VTIPKG	

