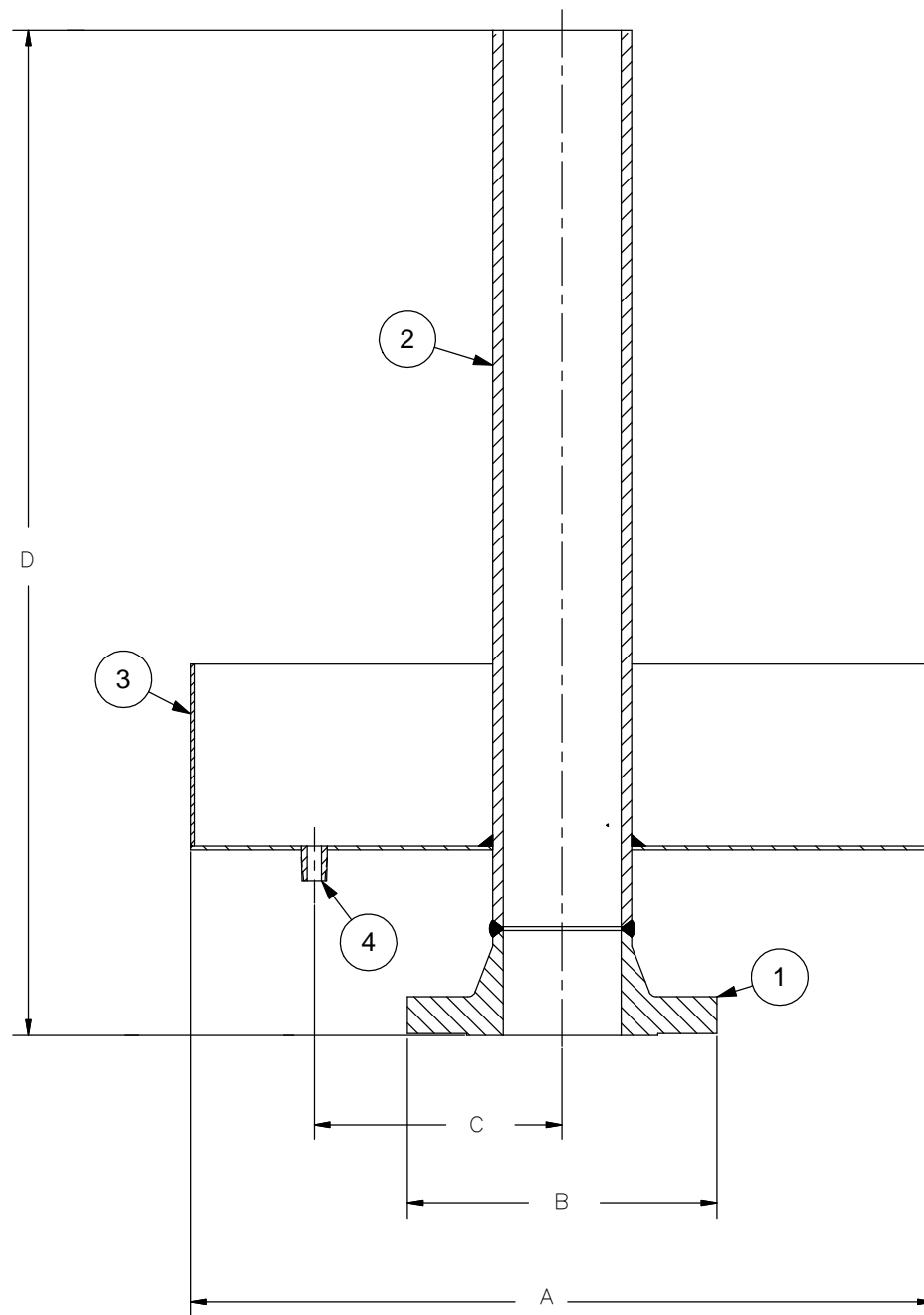


ERV OUTLET FLANGE (1)	MAX. STACK SIZE (A1)	A	B	C	D
3" 300#	12	24	8.25	8	28
4" 300#	16	28	10.00	10	20
4" 600#	16	28	10.75	8	29
6" 300#	18	30	12.50	10	36
6" 600#	20	32	14.00	12	42
8" 600#	22	34	16.50	12	48
10" 600#	24	36	20.00	16	60

BILL OF MATERIAL			
ITEM	DESCRIPTION	MATERIAL	QTY
1	FLANGE	A105	1
2	DISCHARGE PIPE	A106 GR.B	1
3	DRIP PAN	A36	1
4	NIPPLE	A105	1



REV.	DATE	DESCRIPTION	ECN	BY	APR

THIRD ANGLE PROJECTION

THIS DRAWING AND THE INFORMATION CONTAINED WITHIN IS CONSIDERED TO BE CONFIDENTIAL AND THE SOLE PROPERTY OF VALVTECHNOLOGIES. THE CONTENTS OF THIS DRAWING MAY NOT BE REPRODUCED OR DISCLOSED VERBALLY OR OTHERWISE OUTSIDE THE HOLDERS OFFICE WITHOUT THE WRITTEN APPROVAL OF VALVTECHNOLOGIES.

DIMENSIONS ARE IN INCHES
REMOVE BURRS AND BREAK EDGES
UNLESS OTHERWISE SPECIFIED

CORNER RADII .03 MAX
.X = ± .030
.XX = ± .015
.XXX = ± .005

CONCENTRICITY .010 T.I.R.
ANGULAR = ± 1/2°
SURFACE TEXTURE 125 RMS
MIN. INTERNAL FILLETS .015

MODEL FILE			
SCALE	WEIGHT	SHEET	SIZE
1:1	LBS	1 OF 1	B
DRAWN BY	DATE		
DCE	03/25/13		
ENGINEER	DATE		
RH	03/25/13		
MFG RELEASE	DATE		
-	-		

VALVTECHNOLOGIES

5904 BINGLE ROAD, HOUSTON TEXAS 77092
WWW.VALV.COM

TITLE
DRIP PAN

DRIP PAN ASSEMBLY REV 0