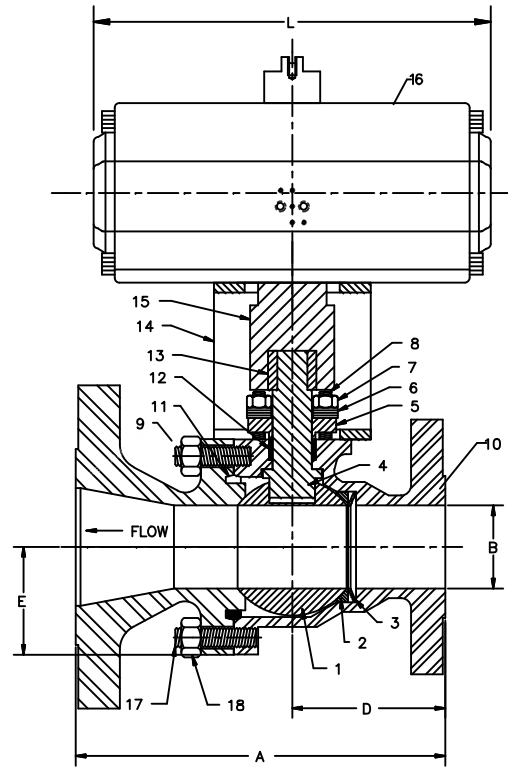
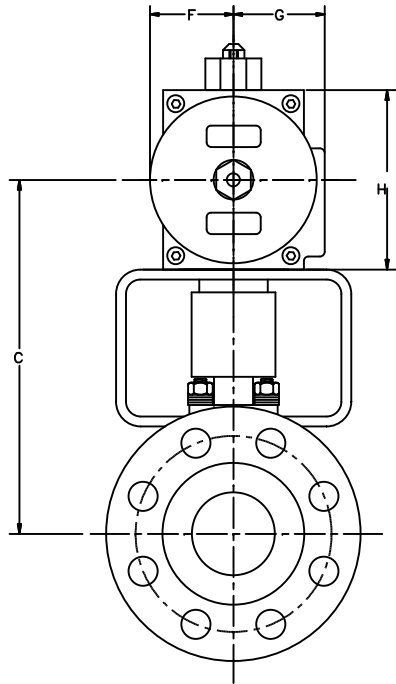


PART NO.	VTI	A	B	C	D	E	F	G	H	L	END CONNECTIONS	
											INLET	OUTLET
E5C405N2RFR35P1	VTI 04	6.00	.63	7.60	4.31	1.22	2.17	2.68	4.75	11.97	3/4" 300#	1" 300#
E5C411N3RFR55P1	VTI 06	6.91	1.06	8.25	2.93	1.87	2.17	2.68	4.75	19.68	1" 300#	1 1/2" 300#
E5C614N5RFR65P1	VTI 08	8.37	1.50	9.02	3.41	2.10	2.68	3.15	5.83	24.09	1 1/2" 300#	2" 300#
E5C621N6RFR85P1	VTI 10	9.50	2.12	10.45	3.91	2.75	3.43	3.94	7.40	32.99	2" 300#	3" 300#
E5C630N8RFR5P1	*RDA 270	11.71	3.06	14.59	5.31	4.07	5.71	5.71	13.03	26.46	3" 300#	4" 300#
E5C640NARFRC5P1	*RDA 270	15.86	4.06	15.30	5.58	4.78	5.71	5.71	13.03	26.46	4" 300#	6" 300#

*VTI ACTUATOR'S AVAILABLE FOR UP TO 213" BORE ONLY

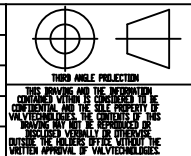


BILL OF MATERIAL

ITEM	DESCRIPTION
1	BALL
2	UPSTREAM SEAT
3	BELLEVILLE SPRING
4	STEM
5	GLAND
6	GLAND LOAD SPRING
7	GLAND NUT
8	GLAND STUD
9	END CAP
10	BODY
11	BODY GASKET
12	GLAND PACKING
13	KEY
14	MOUNTING BRACKET
15	DRIVE SLEEVE
16	HANDLE
17	BODY STUD
18	BODY NUT

FOR
PROPOSAL
ONLY

REV.	DATE	DESCRIPTION	EDN	BY	APR



DRAWING ARE INCHES
FOR SALES ORDER
ACTUATOR ORIENTATION IS FOR ILLUSTRATION PURPOSES ONLY

MODEL FILE			
SCALE	WEIGHT	SHEET	SIZE
1:1	LBS	1 OF 1	B
DRAWN BY	DCE	DATE	02/14/13
ENGINEER	RH	DATE	02/14/13

VALVETECHNOLOGIES
 5040 BIRCH ROAD, TUSTEIN, TEXAS 77082
 WWW.VALVETECH.COM
 TITLE: ERV ANSI 300# WITH VTI ACTUATOR RF FLANGE
 300 ERVP11-VTIPKG