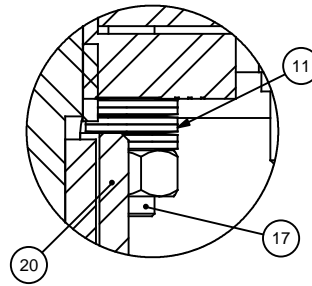
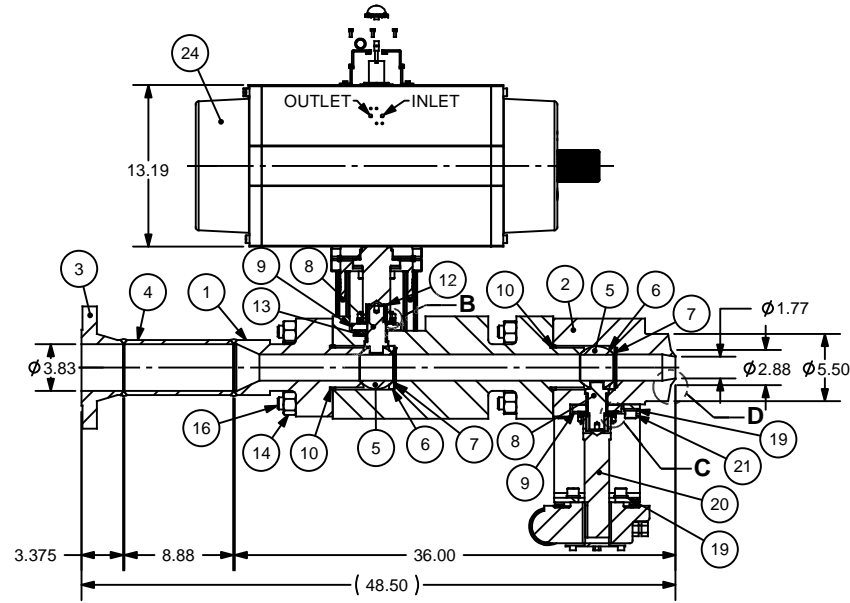
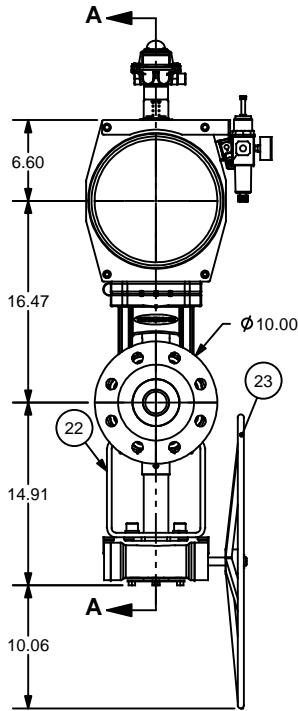


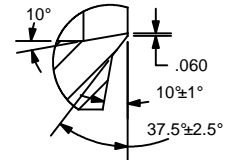
**DETAIL B
SCALE 1 : 1**



**DETAIL C
SCALE 1 : 1**



SECTION A-A



**DETAIL D
SCALE 1 : 3**

BILL OF MATERIALS		
ITEM	DESCRIPTION	QTY.
1	ERV END CAP	1
2	BODY	1
3	4.0" 300# FLANGE	1
4	ERV PIPE	1
5	BALL	2
6	UPSTREAM SEAT	2
7	BELLEVILLE SPRING	2
8	STEM	2
9	GLAND	2
10	BODY GASKET	2
11	GLAND SPRING	48
12	KEY	4
13	GLAND PACKING	2
14	BODY NUT	16
15	GLAND NUT	8
16	BODY STUD	16
17	GLAND STUD	8
18	MOUNTING PLATE	1
19	LOCK WASHER	8
20	DRIVE SLEEVE	1
21	CAP SCREW	8
22	MOUNTING BRACKET	1
23	EXEECO IW-4/70 W/24" HW	1
24	VTI 10 ACTUATOR	1
25	DRIVE SLEEVE	1

REV.	DATE	DESCRIPTION	ECN	BY	APR
3	02/20/13	REMOVED CONTROL BOX		DCE	RH
2	01/31/13	SWITCHED OUT GEARBOX TO IW-4/70 W/24" HW		DCE	RH
1	01/28/13	MODIFICATIONS PER CUSTOMER REQUEST		DCE	RH

THIRD ANGLE PROJECTION

THIS DRAWING AND THE INFORMATION CONTAINED WITHIN IS CONSIDERED TO BE CONFIDENTIAL AND THE SOLE PROPERTY OF VALVTECHNOLOGIES. THE CONTENTS OF THIS DRAWING MAY NOT BE REPRODUCED OR DISCLOSED VERBALLY OR OTHERWISE OUTSIDE THE HOLDERS OFFICE WITHOUT THE WRITTEN APPROVAL OF VALVTECHNOLOGIES.

DIMENSIONS ARE IN INCHES
REMOVE BURRS AND BREAK EDGES
UNLESS OTHERWISE SPECIFIED

CORNER RADII .03 MAX
.X = ±.030
.XX = ±.015
.XXX = ±.005

CONCENTRICITY .010 T.I.R.
ANGULAR = ±1°
SURFACE TEXTURE 125 RMS
MIN. INTERNAL FILLETS .015

MODEL FILE 122208-001

SCALE 1:10 WEIGHT 1598 LBS SHEET 1 OF 1 SIZE B

DRAWN BY DCE DATE 01/09/13

ENGINEER R_JL DATE 01/09/13

MFG RELEASE DATE 01/24/13

VALVTECHNOLOGIES

5904 BINGLE ROAD, HOUSTON TEXAS 77032
WWW.VALV.COM

1112.5" 2500# SPECIAL BW NOZZLE INLET
4.0" 300# RF OUTLET 2.13" BORE ERV
WITH VTI 10 ACTUATOR

122208