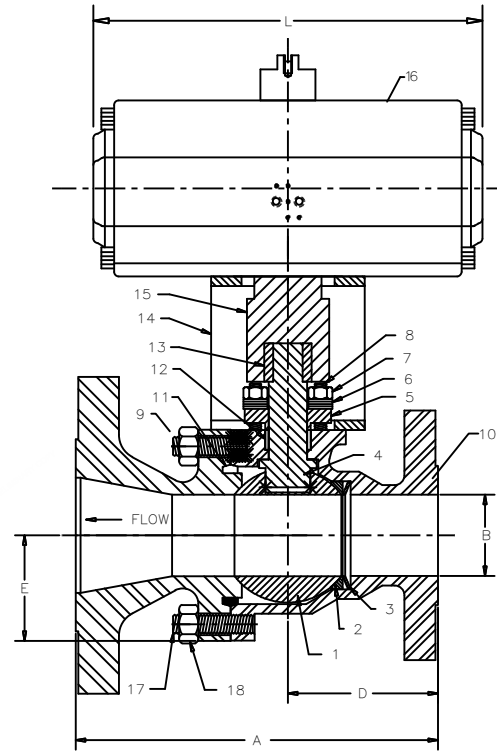
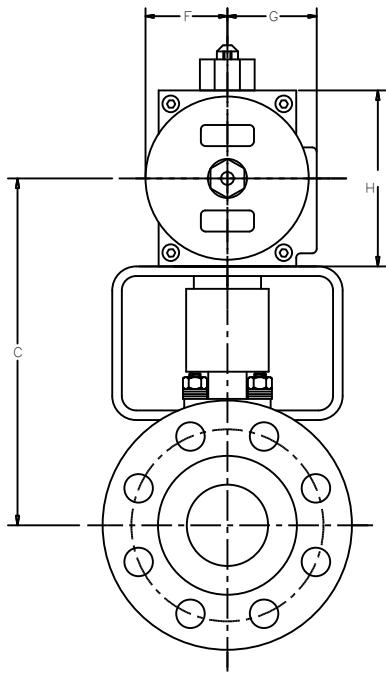


PART NO.	ROTORK	A	B	C	D	E	F	G	H	L	END CONNECTIONS	
											INLET	OUTLET
E6C405N2RFR35P	RDA 100	7.50	.63	7.75	2.70	1.37	2.17	2.68	4.75	11.60	3/4" 600#	1" 600#
E6C411N3RFR55P	RDA 100	8.57	1.06	8.26	3.94	1.88	2.17	2.68	4.75	11.60	1" 600#	1 1/2" 600#
E6C614N5RFR65P	RDA 125	9.66	1.50	9.02	4.60	2.10	2.68	3.15	5.83	15.91	1 1/2" 600#	2" 300#
E6C621N6RFR85P	RDA 200	10.60	2.12	11.46	4.97	2.75	4.29	4.29	9.41	22.64	2" 600#	3" 300#
E6C630N8RFR95P	RDA 270	12.22	3.06	14.59	6.54	4.07	5.71	5.71	13.03	26.46	3" 600#	4" 300#

BILL OF MATERIAL	
ITEM	DESCRIPTION
1	BALL
2	UPSTREAM SEAT
3	BELLEVILLE SPRING
4	STEM
5	GLAND
6	GLAND LOAD SPRING
7	GLAND NUT
8	GLAND STUD
9	END CAP
10	BODY
11	BODY GASKET
12	GLAND PACKING
13	KEY
14	MOUNTING BRACKET
15	DRIVE SLEEVE
16	HANDLE
17	BODY STUD
18	BODY NUT



REV.	DATE	DESCRIPTION	ECN	BY	APR

THIRD ANGLE PROJECTION

THIS DRAWING AND THE INFORMATION CONTAINED WITHIN IS CONSIDERED TO BE CONFIDENTIAL AND THE SOLE PROPERTY OF VALVTECHNOLOGIES. THE CONTENTS OF THIS DRAWING MAY NOT BE REPRODUCED OR DISCLOSED VERBALLY OR OTHERWISE OUTSIDE THE HOLDERS OFFICE WITHOUT THE WRITTEN APPROVAL OF VALVTECHNOLOGIES.

DIMENSIONS ARE IN INCHES  
REMOVE BURRS AND BREAK EDGES  
UNLESS OTHERWISE SPECIFIED

CORNER RADII .03 MAX  
.X = ±.030  
.XX = ±.015  
.XXX = ±.005

CONCENTRICITY .010 T.I.R.  
ANGULAR = ±12°  
SURFACE TEXTURE 125 RMS  
MIN. INTERNAL FILLETS .015

MODEL FILE			
SCALE	WEIGHT	SHEET	SIZE
1:1	LBS	1 OF 1	B
DRAWN BY	DCE	DATE	03/25/13
ENGINEER	RH	DATE	03/26/13
MFG RELEASE	-	DATE	-

**VALVTECHNOLOGIES**

5904 BINGLE ROAD, HOUSTON TEXAS 77052  
WWW.VALV.COM

TITLE: ERV ANSI 600#  
WITH RDA PNEUMATIC ACTUATOR

600ERV1-1-VTIPKG