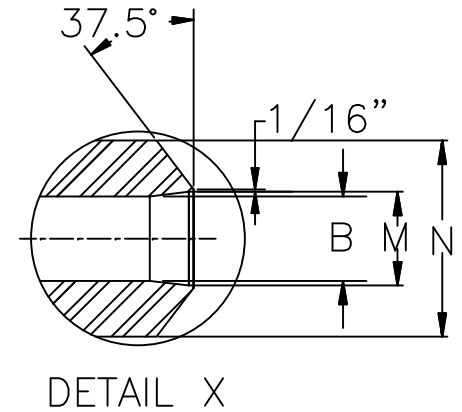
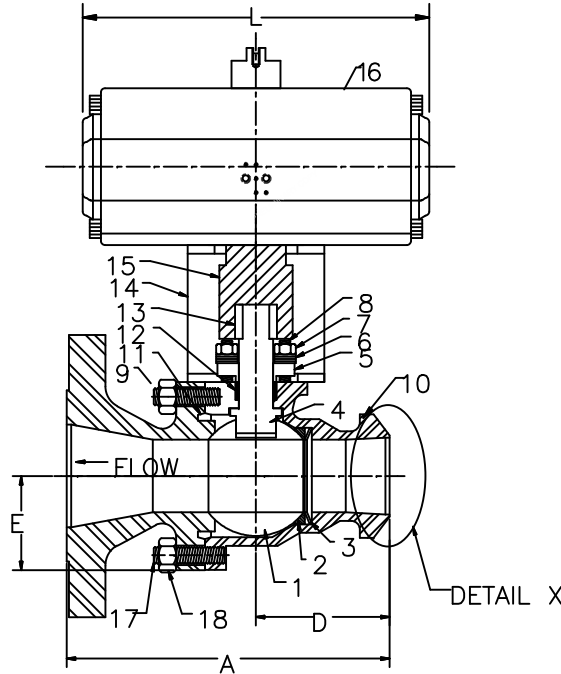
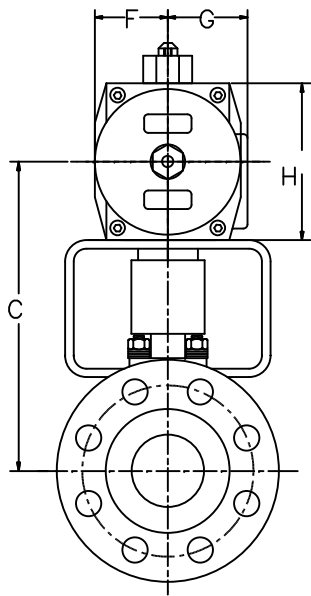


PART NO.	VTI ACT.	A	B	C	D	E	F	G	H	L	M	N	END CONNECTIONS	
													INLET	OUTLET
E6C405N2BWR35P1	VTI 04	7.50	.63	7.75	2.70	1.37	2.17	2.68	4.75	11.97	.75	1.32	3/4" 600#	1" 600#
E6C411N3BWR55P1	VTI 06	8.57	1.06	8.26	3.94	1.88	2.17	2.68	4.75	19.68	1.25	1.90	1" 600#	1 1/2" 600#
E6C614N5BWR65P1	VTI 08	9.66	1.50	9.02	4.60	2.10	2.68	3.15	5.83	24.09	1.63	2.50	1 1/2" 600#	2" 300#
E6C621N6BWR85P1	*RDA 200	10.60	2.12	11.46	4.97	2.75	4.29	4.29	9.41	22.64	2.25	3.75	2" 600#	3" 300#
E6C630N8BWRASP1	*RDA 270	12.22	3.06	14.59	6.54	4.07	5.71	5.71	13.03	26.46	3.25	4.50	3" 600#	4" 300#

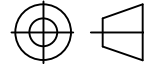
\* VTI ACTUATORS AVAILABLE FOR UP TO 2 1/2" BORE ONLY

BILL OF MATERIAL	
ITEM	DESCRIPTION
1	BALL
2	UPSTREAM SEAT
3	BELLEVILLE SPRING
4	STEM
5	GLAND
6	GLAND LOAD SPRING
7	GLAND NUT
8	GLAND STUD
9	END CAP
10	BODY
11	BODY GASKET
12	GLAND PACKING
13	KEY
14	MOUNTING BRACKET
15	DRIVE SLEEVE
16	HANDLE
17	BODY STUD
18	BODY NUT



FOR  
PROPOSAL  
ONLY

REV.	DATE	DESCRIPTION	EDN	BY	APR



THIS DRAWING AND THE INFORMATION CONTAINED HEREIN ARE THE PROPERTY OF VALVTECHNOLOGIES, INC. AND ARE TO BE USED ONLY FOR THE PROJECT AND SITE SPECIFICALLY IDENTIFIED HEREIN. WITHOUT APPROVAL BY VALVTECHNOLOGIES, INC.

UNLESS OTHERWISE SPECIFIED

CORNER RADIUS	AS MAX
.X	± .008
.XX	± .005
.XXX	± .005
CONCENTRICITY	AMB T.I.P.
ANGULAR	± 1/2°
SURFACE TEXTURE	125 RMS
NO. INTERNAL FILLETS	.05

MODEL FILE			
SCALE	WEIGHT	SHEET	SIZE
1:1	LBS	OF 1	C
DRAWN BY	DCE	DATE	02/15/23
ENGINEER	RH	DATE	02/15/23
REV. RELEASE	-	DATE	-

<b>VALVTECHNOLOGIES</b>	
3000 SINGLE ROAD, FORT WORTH, TEXAS 76104	
VALVTECH	
TITLE: ERV ANSI 600#	
WITH VTI ACTUATOR	
BUTT WELD	
600 ERVP13-VTIPKG	REV. 0