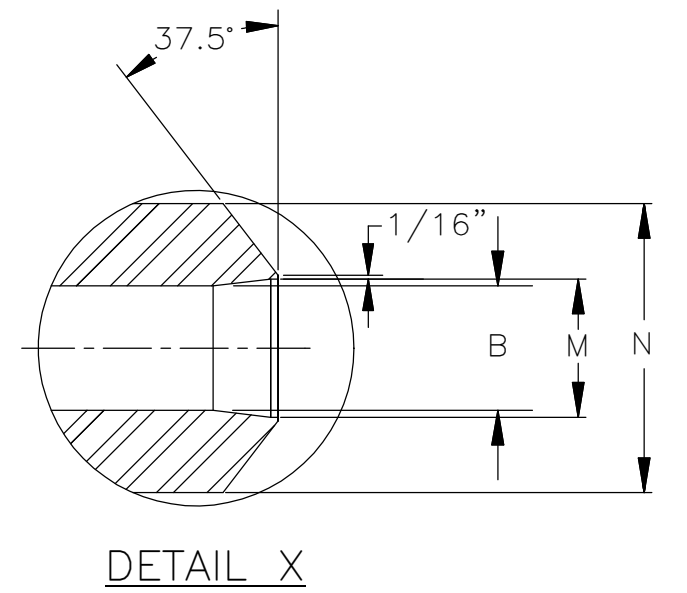
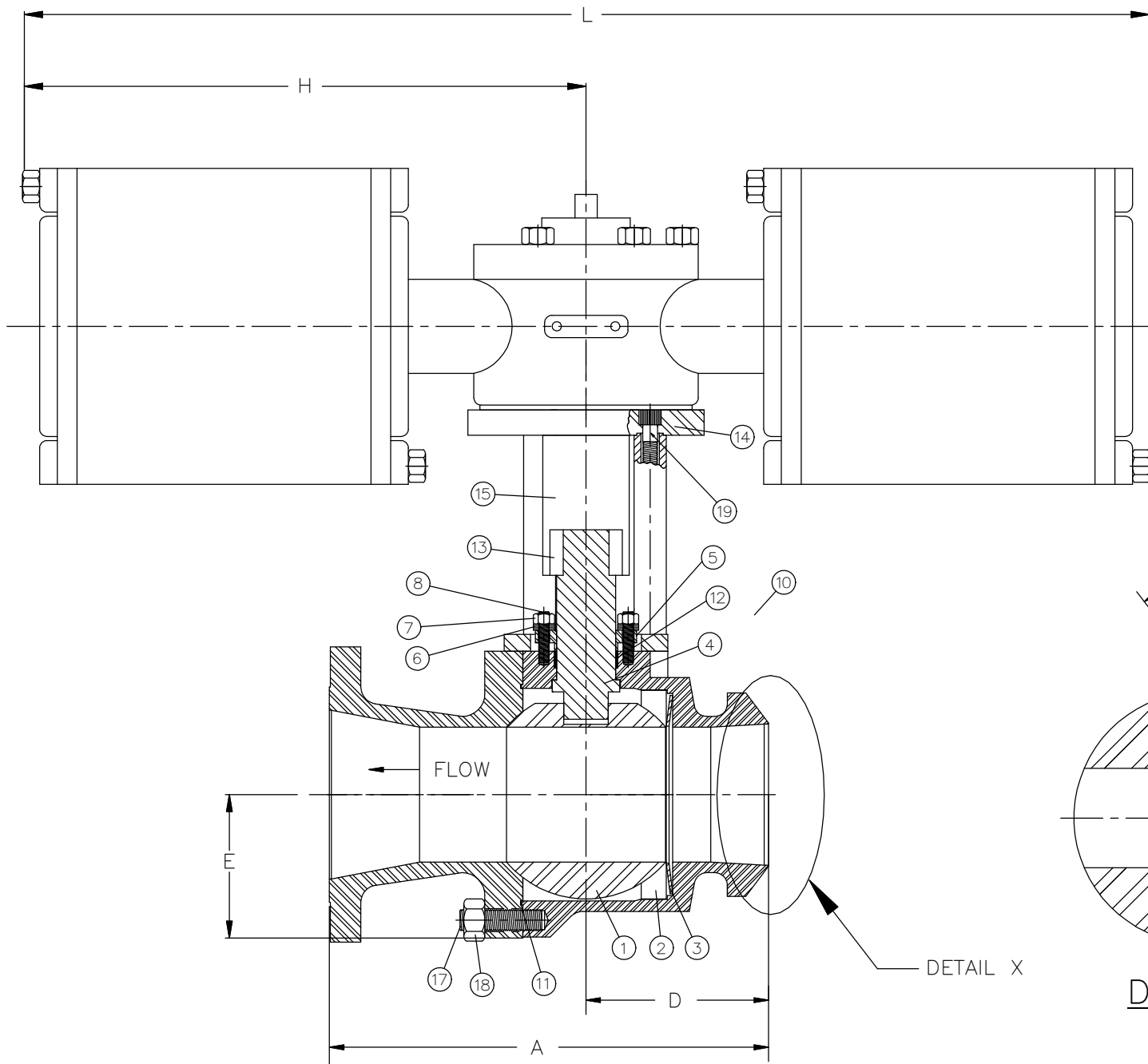
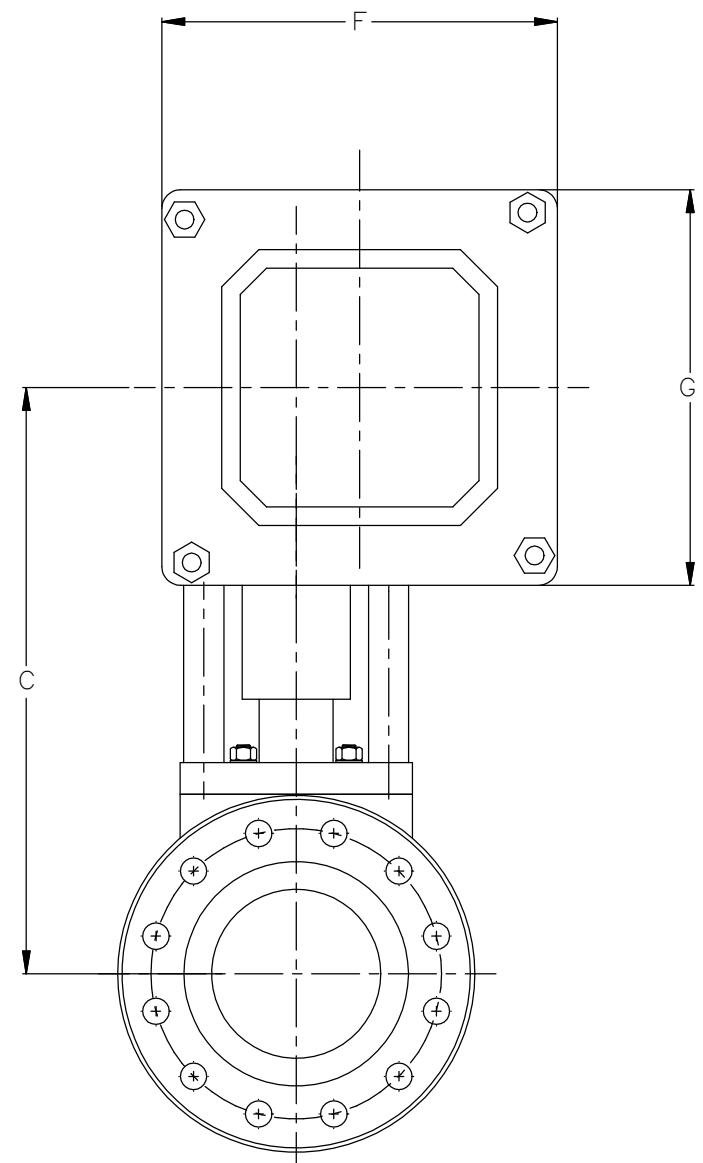


PART NO.	ROTORK	A	B	C	D	E	F	G	H	L	M	N	END CONNECTIONS	
													INLET	OUTLET
E6C640NABWRC5P1	PDA 32512-2	4.06	4.06	17.28	7.83	4.78	13.0	13.0	26.8	48.0	4.25	5.50	4" 600#	6" 300#
E6C660NCBWRE5P1	PDA 50021	37.69	6.00	27.72	8.77	6.47	22.5	22.5	37.3	67.0	6.25	7.50	6" 600#	10" 300#
E6C680NDBWRF5P1	PDA 70025	31.63	8.00	33.45	10.81	8.30	26.5	26.5	49.1	91.68	8.25	9.88	8" 600#	12" 300#
E6C6A0NEBWRH5P1	PDA 70021-2	50.59	10.00	33.25	16.69	10.0	22.5	22.5	49.7	92.5	10.25	12.50	10" 600#	16" 300#

BILL OF MATERIAL	
ITEM	DESCRIPTION
1	BALL
2	UPSTREAM SEAT
3	BELLEVILLE SPRING
4	STEM
5	GLAND
6	GLAND LOAD SPRING
7	GLAND NUT
8	GLAND STUD
9	END CAP
10	BODY
11	BODY GASKET
12	GLAND PACKING
13	KEY
14	STOP PLATE
15	DRIVE SLEEVE
16	HANDLE
17	BODY STUD
18	BODY NUT
19	YOKE CAP SCREW



REV.	DATE	DESCRIPTION	ECN	BY	APR

THIRD ANGLE PROJECTION

THIS DRAWING AND THE INFORMATION CONTAINED WITHIN IS CONSIDERED TO BE CONFIDENTIAL AND THE SOLE PROPERTY OF VALVTECHNOLOGIES. THE CONTENTS OF THIS DRAWING MAY NOT BE REPRODUCED OR DISCLOSED VERBALLY OR OTHERWISE OUTSIDE THE HOLDERS OFFICE WITHOUT THE WRITTEN APPROVAL OF VALVTECHNOLOGIES.

DIMENSIONS ARE IN INCHES
REMOVE BURRS AND BREAK EDGES
UNLESS OTHERWISE SPECIFIED

CORNER RADII .03 MAX
.X = ±.030
.XX = ±.015
.XXX = ±.005

CONCENTRICITY .010 T.I.R.
ANGULAR = ± 1/2°
SURFACE TEXTURE 125 RMS
MIN. INTERNAL FILLETS .015

MODEL FILE			
SCALE	WEIGHT	SHEET	SIZE
1:1	LBS	1 OF 1	B
DRAWN BY	DATE		
DCE	03/25/13		
ENGINEER	DATE		
RH	03/25/13		
MFG RELEASE	DATE		
-	-		

VALVTECHNOLOGIES

5904 BINGLE ROAD, HOUSTON TEXAS 77092
WWW.VALV.COM

TITLE: **ERV ANSI 600#**

600ERV1-4-VTIPKG

REV: 0