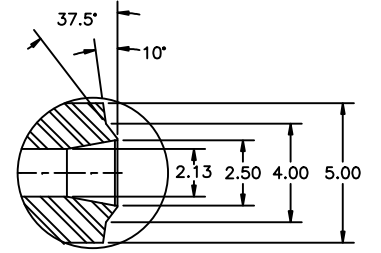
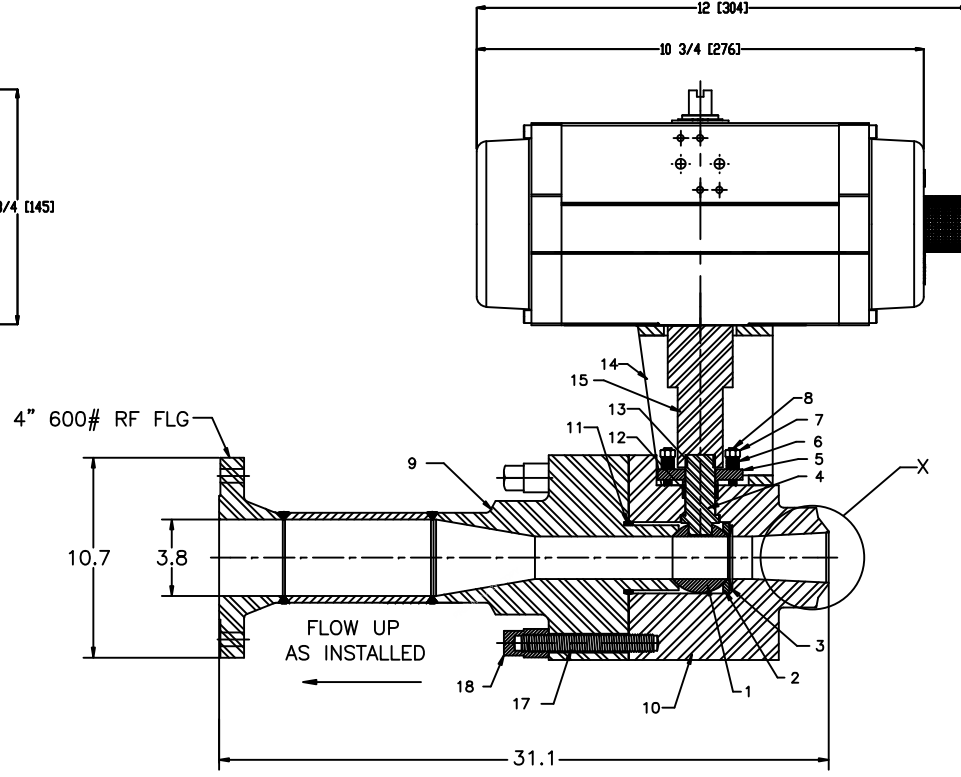
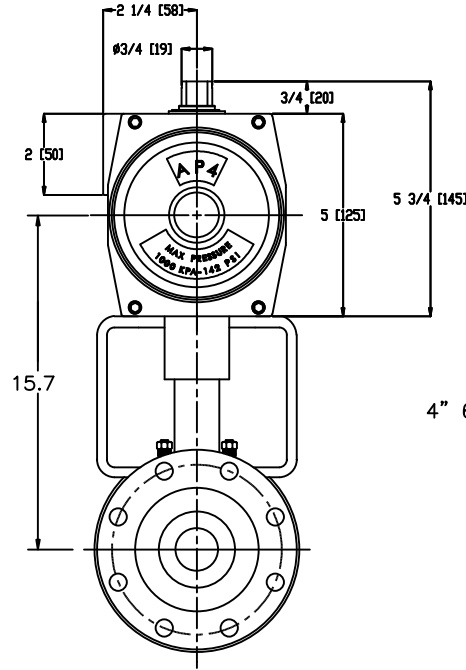


BILL OF MATERIAL			
ITEM	DESCRIPTION	MATERIAL	QTY.
1	BALL	A286/RAM31	1*
2	UPSTREAM SEAT	A182-F22/H.F.	1*
3	BELLEVILLE SPRING	Inc. 718	1*
4	STEM	A286/H.F.	1
5	GLAND	A182-F22/H.F.	1
6	GLAND LOAD SPRING	304 S.S.	24
7	GLAND NUT	A194 Gr. 8M	4
8	GLAND STUD	A193 Gr. B8M	4
9	END CAP	A182-F22/RAM31	1*
10	BODY	A182-F22	1
11	BODY GASKET	17-4	1
12	GLAND PACKING	316 S.S./GRAFOIL	3*
13	KEY	1018	4
14	MOUNTING BARCKET	1018	1
15	DRIVE SLEEVE	4130	1
16	ERV VALVE ACTUATOR	MORIN 79-370U-D080-V	1
17	BODY STUD	A193 Gr. B8M	16
18	BODY NUT	A194 Gr. 8M	16

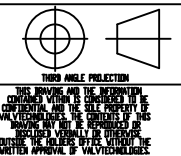
\* Recommended Spare Parts



DETAIL X

FOR  
PROPOSAL  
ONLY

REV.	DATE	DESCRIPTION	EDN	BY	APR



THIS DRAWING AND THE INFORMATION CONTAINED HEREIN ARE THE SOLE PROPERTY OF VALVETECHNOLOGIES. THE USER AGREES TO HOLD VALVETECHNOLOGIES HARMLESS FROM AND TO INDEMNIFY VALVETECHNOLOGIES FROM AND AGAINST ALL SUCH DAMAGES, LOSSES AND EXPENSES, INCLUDING REASONABLE ATTORNEY'S FEES, THAT MAY BE INCURRED BY VALVETECHNOLOGIES IN CONNECTION WITH THE USE OF THIS DRAWING OR THE INFORMATION CONTAINED HEREIN.

INCHES  
FOR SALES ORDER  
ACTUATOR ORIENTATION IS FOR ILLUSTRATION PURPOSES ONLY

MODEL FILE			
SCALE	WEIGHT	SHEET	SIZE
1:1	LBS	1 OF 1	B
DRAWN BY		DATE	
DCE		02/19/13	
ENGINEER		DATE	
RH		02/19/13	

**VALVETECHNOLOGIES**

5000 WALKER ROAD, TUSTEIN, TEXAS 77082  
WWW.VALVETECH.COM

TITLE: ANSI 4500# WITH VTI ACTUATOR ERV

EBL721P2-VTIPKG