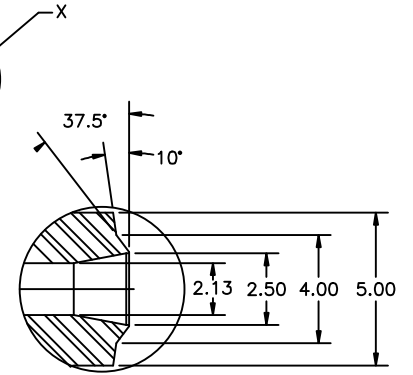
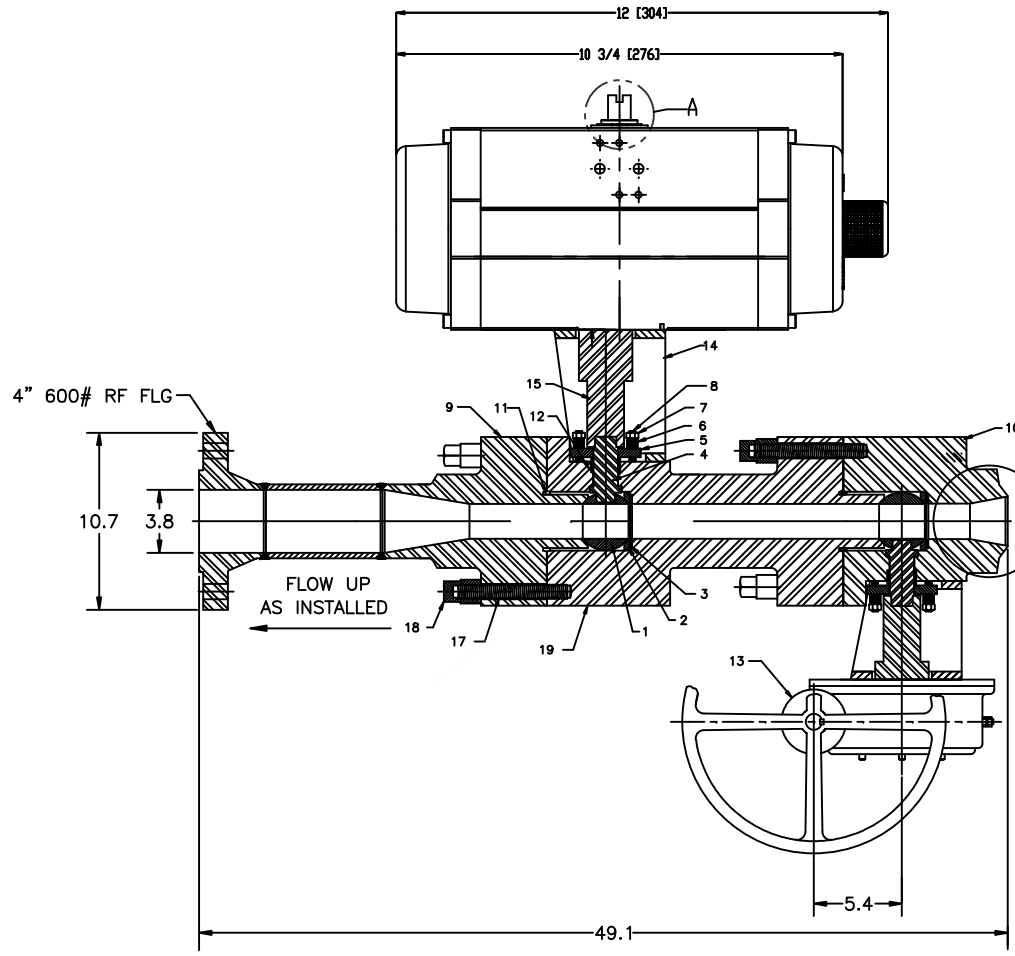
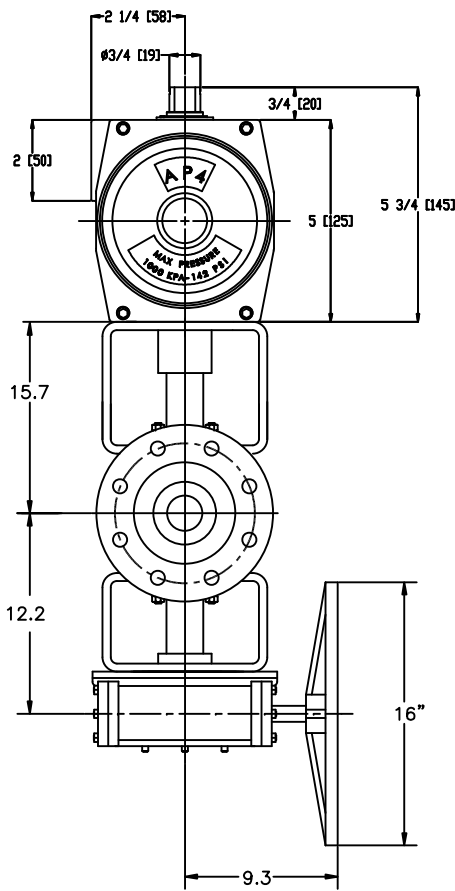


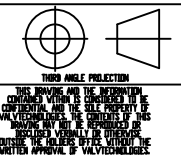
BILL OF MATERIAL			
ITEM	DESCRIPTION	MATERIAL	QTY.
1	BALL	A286/RAM31	2*
2	UPSTREAM SEAT	A182-F22/H.F.	2*
3	BELLEVILLE SPRING	Inc. 718	2*
4	STEM	A286/H.F.	2
5	GLAND	A182-F22/H.F.	2
6	GLAND LOAD SPRING	304 S.S.	48
7	GLAND NUT	A194 Gr. 8M	8
8	GLAND STUD	A193 Gr. 8M	8
9	END CAP	A182-F22/RAM31	1*
10	BODY	A182-F22	1
11	BODY GASKET	17-4	1
12	GLAND PACKING	316 S.S./GRAFOIL	6*
13	ISO VALVE OPERATOR	EVEECO IW-5	1
14	MOUNTING BRACKET	1018	2
15	DRIVE SLEEVE	4130	2
16	ERV ACTUATOR	MORIN 79-370U-D000-V	1
17	BODY STUD	A193 Gr. 8M	32
18	BODY NUT	A194 Gr. 8M	32
19	BODY/ENDCAP	A182-F22/RAM31	1

* Recommended Spare Parts



FOR
PROPOSAL
ONLY

REV.	DATE	DESCRIPTION	EDN	BY	APR



THIS DRAWING AND THE INFORMATION CONTAINED HEREIN ARE THE PROPERTY OF VALVE TECHNOLOGIES. IT IS TO BE USED ONLY FOR THE PURPOSES AND IN THE MANNER SPECIFIED BY THE BUYER. NO OTHER USES OR REPRODUCTIONS ARE PERMITTED WITHOUT THE WRITTEN APPROVAL OF VALVE TECHNOLOGIES.

DRAWING ARE
INCHES
FOR SALES ORDER
ACTUATOR ORIENTATION IS
FOR ILLUSTRATION
PURPOSES ONLY

MODEL FILE			
SCALE	WEIGHT	SHEET	SIZE
1:1	LBS	1 OF 1	B
DRAWN BY	DCE	DATE	02/19/13
ENGINEER	RH	DATE	02/19/13

VALVE TECHNOLOGIES

5000 WILSON ROAD, TUSTEIN, TEXAS 75781
WWW.VTVALVES.COM

MODEL FILE: EBL721P3-VTIPKG
TITLE: ANSI 4500# WITH VTI ACTUATOR

REV. 0