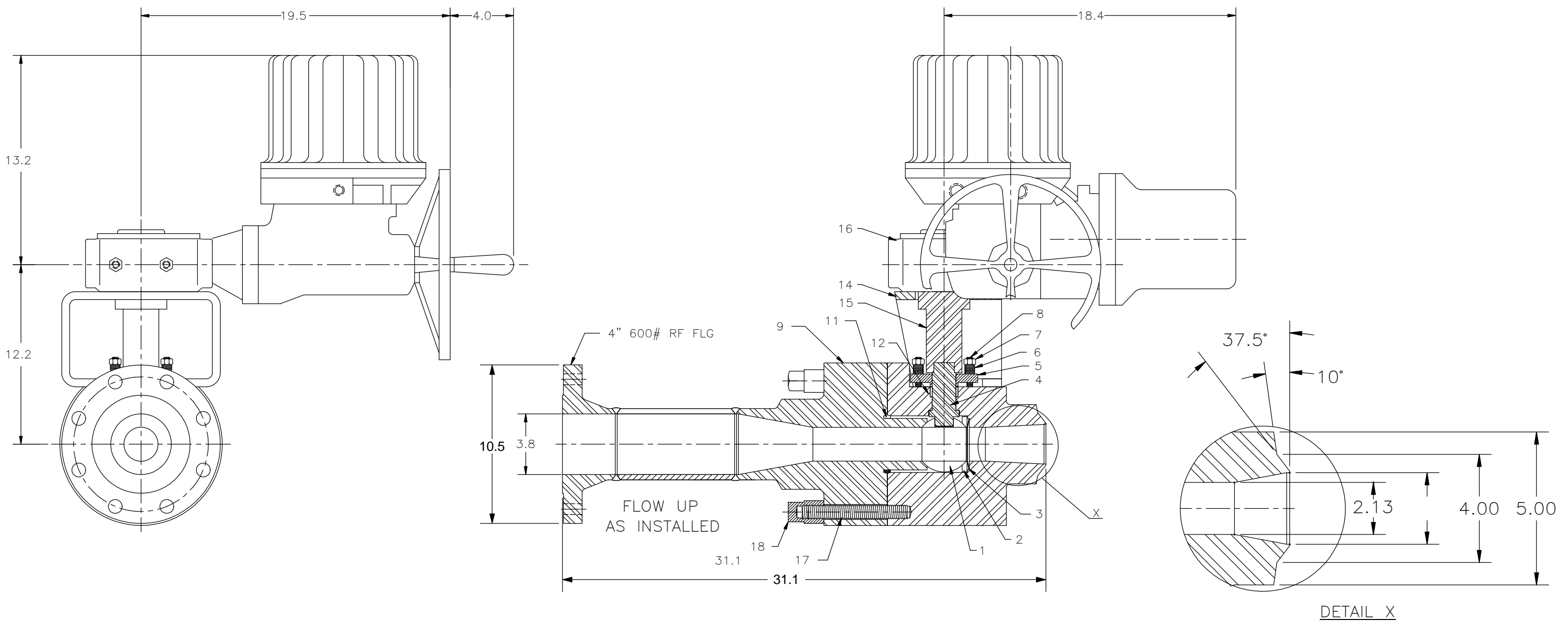


BILL OF MATERIAL			
ITEM	DESCRIPTION	MATERIAL	QTY.
1	BALL	A286/RAM31	1*
2	UPSTREAM SEAT	A182-F22/H.F.	1*
3	BELLVILLE SPRING	Inc. 718	1*
4	STEM	A286/H.F.	1
5	GLAND	A182-F22/H.F.	1
6	GLAND LOAD SPRING	304 S.S.	24
7	GLAND NUT	A194 Gr. 8M	4
8	GLAND STUD	A193 Gr. 8M	4
9	END CAP	A182-F22/RAM31	1*
10	BODY	A182-F22	1
11	BODY GASKET	17-4	1
12	GLAND PACKING	316 S.S./GRAFOIL	3*
13	KEY	1018	4
14	MOUNTING BARCKET	1018	1
15	DRIVE SLEEVE	4130	1
16	ERV VALVE ACTUATOR	LIMITORQUE L120-10	1
17	BODY STUD	A193 Gr. 8M	16
18	BODY NUT	A194 Gr. 8M	16

\* Recommended Spare Parts



REV.	DATE	DESCRIPTION	BY	ECN	APR

THIRD ANGLE PROJECTION

THIS DRAWING AND THE INFORMATION CONTAINED WITHIN IS CONSIDERED TO BE CONFIDENTIAL AND THE SOLE PROPERTY OF VALVTECHNOLOGIES. THE CONTENTS OF THIS DRAWING MAY NOT BE REPRODUCED OR DISCLOSED VERBALLY OR OTHERWISE OUTSIDE THE HOLDERS OFFICE WITHOUT THE WRITTEN APPROVAL OF VALVTECHNOLOGIES.

DIMENSIONS ARE IN INCHES  
REMOVE BURRS AND BREAK EDGES  
UNLESS OTHERWISE SPECIFIED

CORNER RADII .03 MAX  
.X = ± .030  
.XX = ± .015  
.XXX = ± .005

CONCENTRICITY .010 T.I.R.  
ANGULAR = ± 1/2°  
SURFACE TEXTURE 125 RMS  
MIN. INTERNAL FILLETS .015

MODEL FILE			
SCALE	WEIGHT	SHEET	SIZE
1:1	LBS	1 OF 1	B
DRAWN BY	DATE		
DCE	03/25/13		
ENGINEER	DATE		
RH	03/25/13		
MFG RELEASE	DATE		
-	-		

**VALVTECHNOLOGIES**

5904 BINGLE ROAD, HOUSTON TEXAS 77092  
WWW.VALV.COM

TITLE **ANSI 4500# WITH LIMITORQUE  
ELECTRIC ACTUATION**

**EBL721E3-VTIPKG**

REV 0