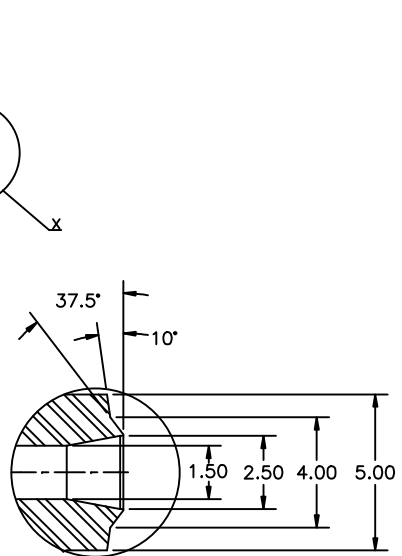
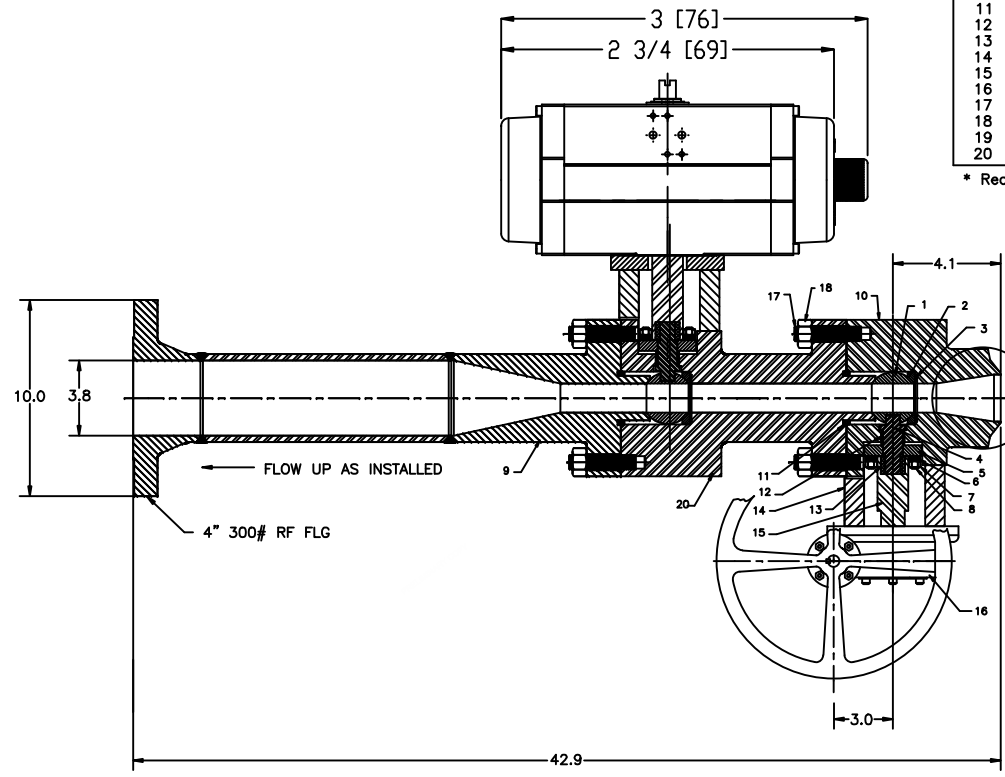
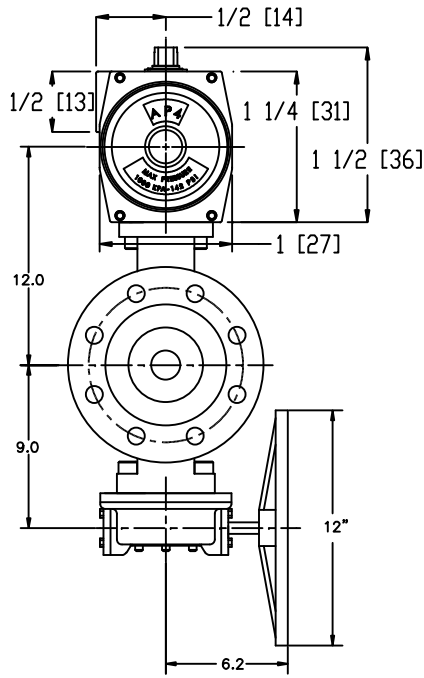


BILL OF MATERIAL			
ITEM	DESCRIPTION	MATERIAL	QTY.
1	BALL	A286/RAM31	2*
2	UPSTREAM SEAT	A182-F22/H.F.	2*
3	BELLEVILLE SPRING	Inc. 718	2*
4	STEM	A286/H.F.	2
5	GLAND	316 S.S./H.F.	2
6	GLAND LOAD SPRING	302 S.S.	48
7	GLAND NUT	A194 Gr. 8M	8
8	GLAND STUD	A193 Gr. B8M	8
9	END CAP	A182-F22/RAM31	1*
10	BODY	A182-F22	1
11	BODY GASKET	17-4	2*
12	GLAND PACKING	316 S.S./GRAFOIL	3*
13	KEY	1018	4
14	YOKE BLOCK	1018	4
15	DRIVE SLEEVE	4130	2
16	ISO VALVE OPERATOR	EXEECO IW-3	1
17	BODY STUD	A193 Gr. B8M	24
18	BODY NUT	A194 Gr. 8M	24
19	ERV ACTUATOR	VTI ACTUATOR	1
20	BODY/ENDCAP	A182-F22/RAM31	1

* Recommended Spare Parts



DETAIL X

FOR
PROPOSAL
ONLY

							DIMENSIONS ARE INCHES		MODEL FILE					
					THIRD ANGLE PROJECTION		FOR SALES ORDER		SCALE 1:1	WEIGHT LBS	SHEET 1 OF 1	SIZE B	SEE TABLE DATA, TOLERANCE TABLE TYPE WWW.VALV.COM	
					ACTUATOR ORIENTATION IS FOR ILLUSTRATION PURPOSES ONLY		DRAWN BY DCE		DATE 02/19/13		TITLE ANSI 4500# WITH VTI ACTUATOR ERV			
REV.	DATE	DESCRIPTION	EDN	BY	APR	ENGINEER RH		DATE 02/19/13		EBL714P4-VTIPKG		REV. 0		