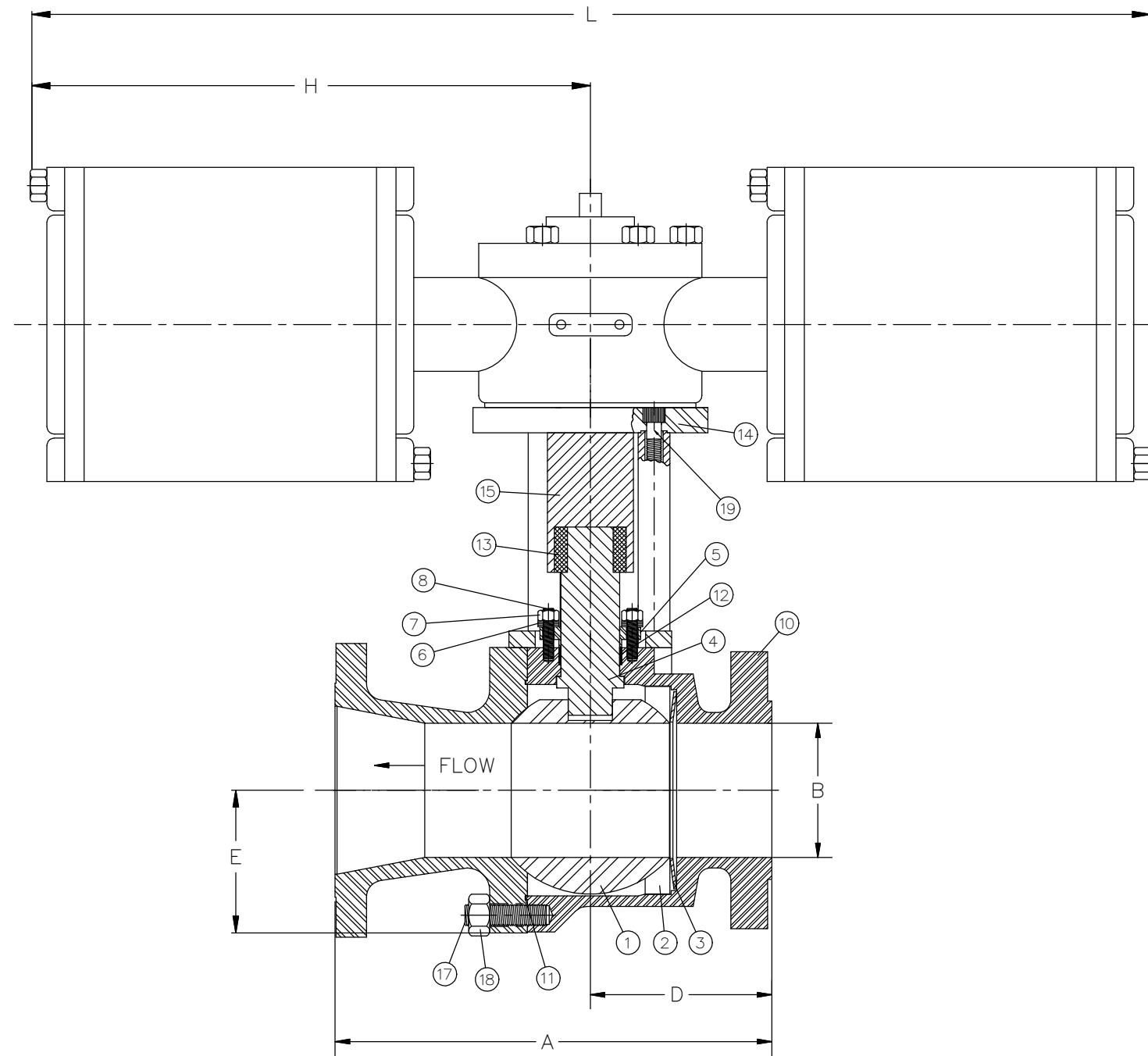
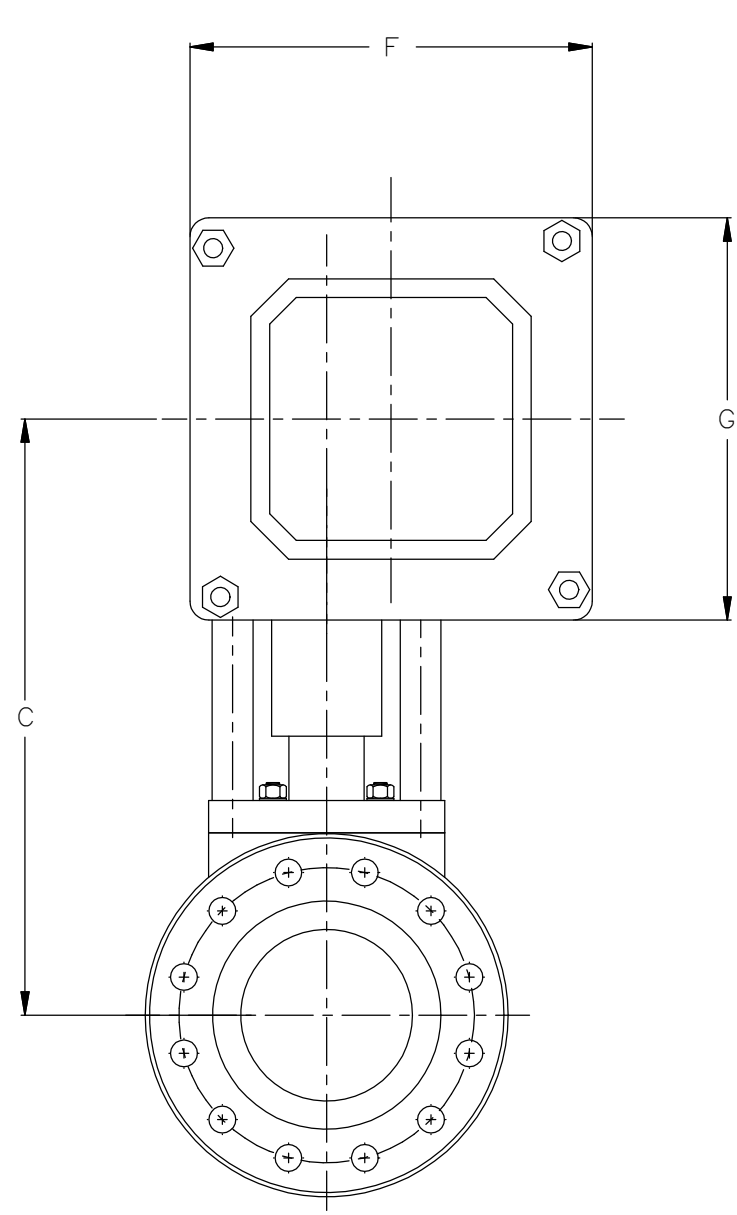


PART NO.	ROTORK	A	B	C	D	E		G	H	L	END CONNECTIONS	
											INLET	OUTLET
E5C660NCRFRE5P	PDA 50017	31.19	6.00	26.87	7.56	6.47	20.8	20.8	37.3	67.0	6" 300#	10" 300#
E5C680NDRFRF5P	PDA 50025	32.56	8.00	33.55	9.50	8.30	26.5	26.5	37.3	67.0	8" 300#	12" 300#

BILL OF MATERIAL	
ITEM	DESCRIPTION
1	BALL
2	UPSTREAM SEAT
3	BELLEVILLE SPRING
4	STEM
5	GLAND
6	GLAND LOAD SPRING
7	GLAND NUT
8	GLAND STUD
9	END CAP
10	BODY
11	BODY GASKET
12	GLAND PACKING
13	KEY
14	STOP PLATE
15	DRIVE SLEEVE
16	HANDLE
17	BODY STUD
18	BODY NUT
19	YOKE CAP SCREW



REV.	DATE	DESCRIPTION	ECN	BY	APR

THIRD ANGLE PROJECTION

THIS DRAWING AND THE INFORMATION CONTAINED WITHIN IS CONSIDERED TO BE CONFIDENTIAL AND THE SOLE PROPERTY OF VALVTECHNOLOGIES. THE CONTENTS OF THIS DRAWING MAY NOT BE REPRODUCED OR DISCLOSED VERBALLY OR OTHERWISE OUTSIDE THE HOLDERS OFFICE WITHOUT THE WRITTEN APPROVAL OF VALVTECHNOLOGIES.

DIMENSIONS ARE IN INCHES
REMOVE BURRS AND BREAK EDGES
UNLESS OTHERWISE SPECIFIED

CORNER RADII .03 MAX
.X = ±.030
.XX = ±.015
.XXX = ±.005

CONCENTRICITY .010 T.I.R.
ANGULAR = ± 1/2°
SURFACE TEXTURE 125 RMS
MIN. INTERNAL FILLETS .015

MODEL FILE			
SCALE	WEIGHT	SHEET	SIZE
1:1	LBS	1 OF 1	B
DRAWN BY	DCE	DATE	03/25/13
ENGINEER	RH	DATE	03/25/13
MFG RELEASE	-	DATE	-

VALVTECHNOLOGIES

5904 BINGLE ROAD, HOUSTON TEXAS 77092
WWW.VALV.COM

TITLE **ERV ANSI 300#
6" BORE - 8" BORE**

300ERV1-2-VTIPKG

REV 0