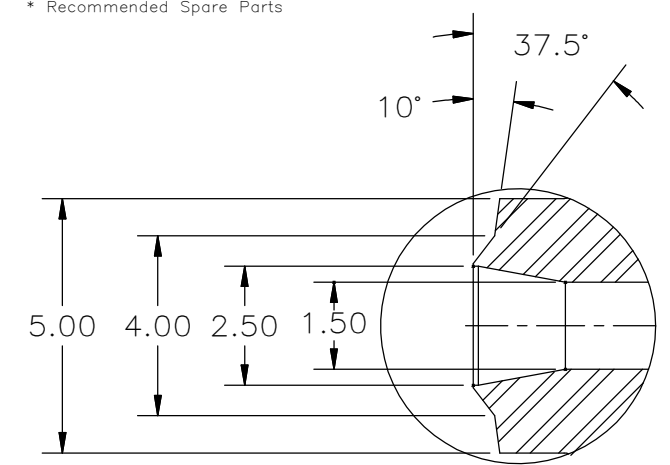
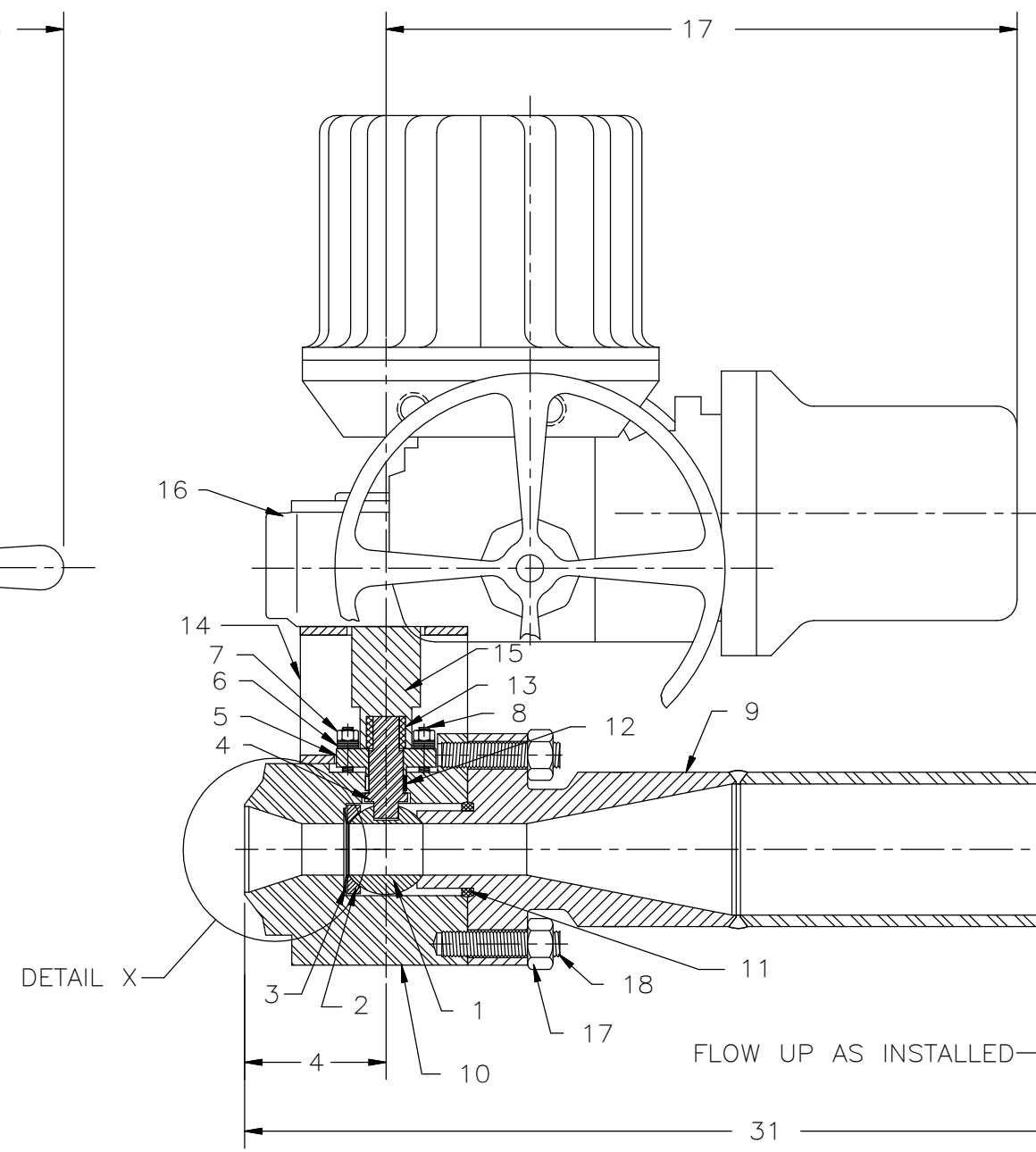
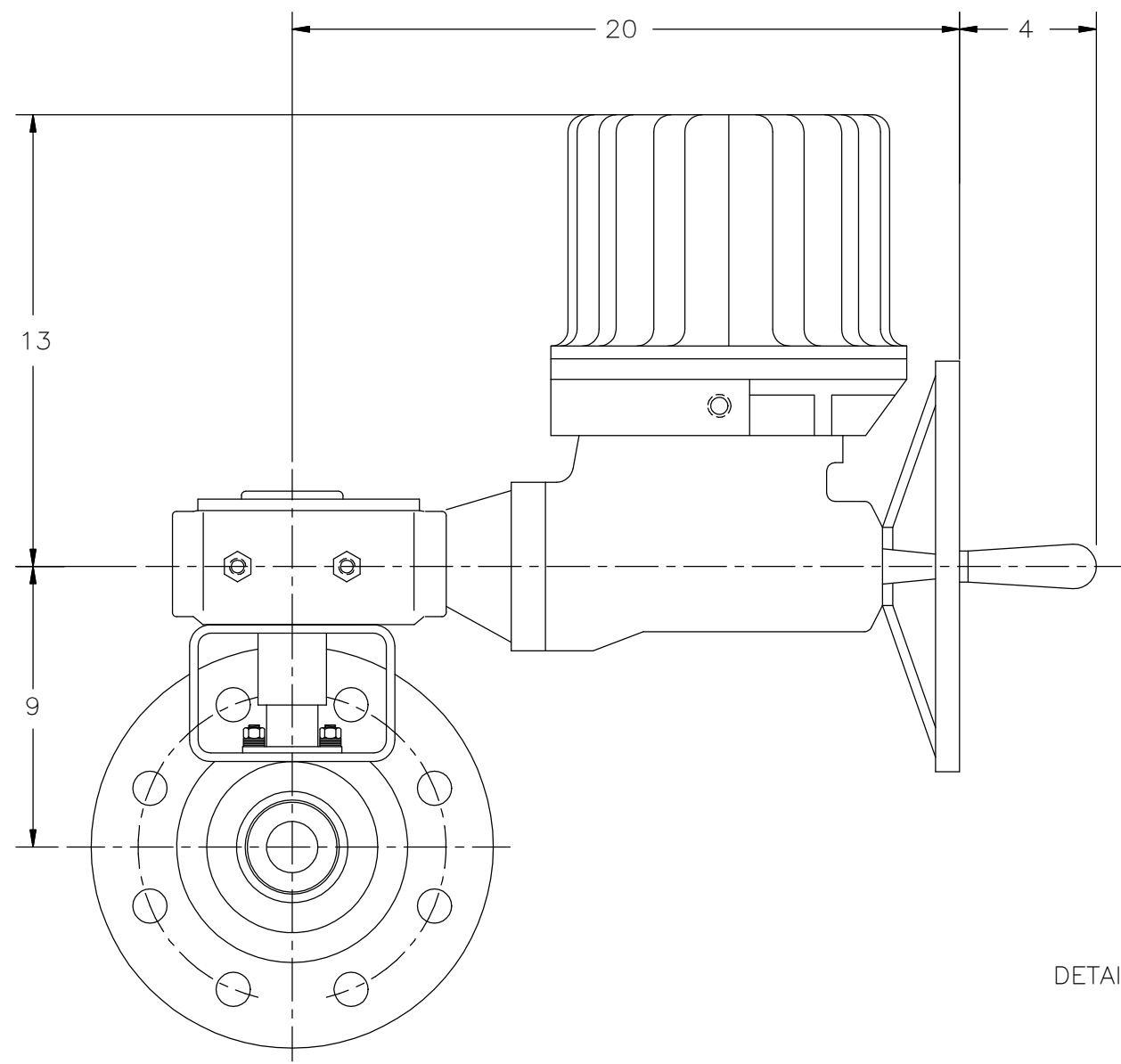


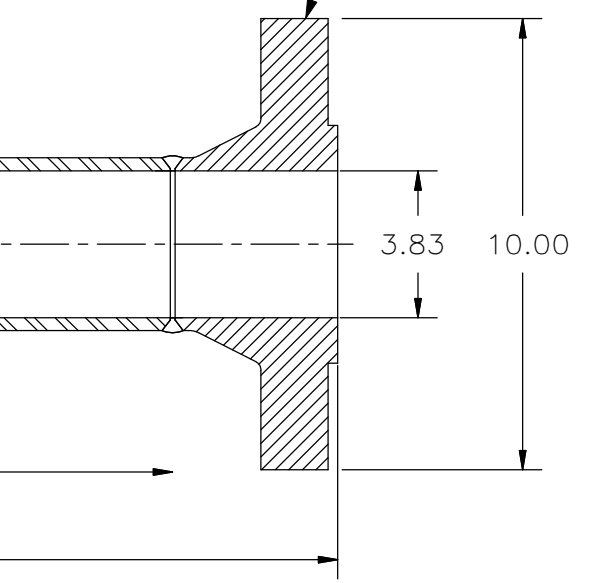
BILL OF MATERIAL			
ITEM	DESCRIPTION	MATERIAL	QTY.
1	BALL	410 S.S./RAM31	1*
2	UPSTREAM SEAT	A182-F22/H.F.	1*
3	BELLEVILLE SPRING	Inc. 718	1*
4	STEM	A286/H.F.	1
5	GLAND	A182-F22/H.F.	1
6	GLAND LOAD SPRING	304 S.S.	24
7	GLAND NUT	A194 Gr. 8M	4
8	GLAND STUD	A193 Gr. B8M	4
9	END CAP	A182-F22/RAM31	1*
10	BODY	A182-F22	1
11	BODY GASKET	17-4	1
12	GLAND PACKING	316 S.S./GRAFOIL	3*
13	KEY	1018	4
14	MOUNTING BARCKET	1018	1
15	DRIVE SLEEVE	4130	1
16	ERV VALVE ACTUATOR	LIMITORQUE L120-10	1
17	BODY STUD	A193 Gr. B8M	8
18	BODY NUT	A194 Gr. 8M	8

* Recommended Spare Parts



4" 300# RF FLANGE

DETAIL X



FLOW UP AS INSTALLED

REV.	DATE	DESCRIPTION	ECN	BY	APR

THIRD ANGLE PROJECTION
 THIS DRAWING AND THE INFORMATION CONTAINED WITHIN IS CONSIDERED TO BE CONFIDENTIAL AND THE SOLE PROPERTY OF VALVTECHNOLOGIES. THE CONTENTS OF THIS DRAWING MAY NOT BE REPRODUCED OR DISCLOSED VERBALLY OR OTHERWISE OUTSIDE THE HOLDERS OFFICE WITHOUT THE WRITTEN APPROVAL OF VALVTECHNOLOGIES.

DIMENSIONS ARE IN INCHES
 REMOVE BURRS AND BREAK EDGES UNLESS OTHERWISE SPECIFIED
 CORNER RADII .03 MAX
 .X = ± .030
 .XX = ± .015
 .XXX = ± .005
 CONCENTRICITY .010 T.I.R.
 ANGULAR = ± 1/2°
 SURFACE TEXTURE 125 RMS
 MIN. INTERNAL FILLETS .015

MODEL FILE			
SCALE	WEIGHT	SHEET	SIZE
1:1	LBS	1 OF 1	B
DRAWN BY	DATE	DCE	RH
ENGINEER	DATE	RH	03/25/13
MFG RELEASE	DATE	-	-

VALVTECHNOLOGIES
 5904 BINGLE ROAD, HOUSTON TEXAS 77092
 WWW.VALV.COM
ANSI 2500# WITH LIMITORQUE ACTUATOR
ELECTRIC ACTUATION
EOL114E3-VTIPKG