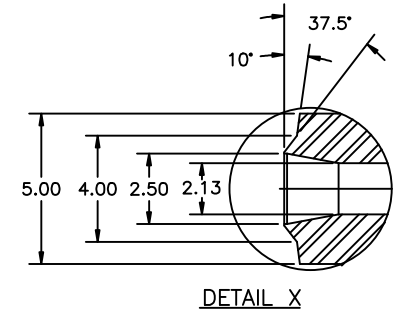


BILL OF MATERIAL			
ITEM	DESCRIPTION	MATERIAL	QTY.
1	BALL	410 S.S./RAM31	1*
2	UPSTREAM SEAT	A182-F22/H.F.	1*
3	BELLEVILLE SPRING	Inc. 718	1*
4	STEM	A286/H.F.	1
5	GLAND	316 S.S./H.F.	1
6	GLAND LOAD SPRING	302 S.S.	24
7	GLAND NUT	A194 Gr. 8M	4
8	GLAND STUD	A193 Gr. 8M	4
9	END CAP	A182-F22/RAM31	1*
10	BODY	A182-F22	1
11	BODY GASKET	17-4	1*
12	GLAND PACKING	316 S.S./GRAFOIL	3
13	KEY	1018	2
14	MOUNTING BARCKET	1018	1
15	DRIVE SLEEVE	4130	1
16	ERV VALVE ACTUATOR	MORIN 79-210U-D000-V	1
17	BODY STUD	A193 Gr. 8M	8
18	BODY NUT	A194 Gr. 8M	8

* Recommended Spare Parts



FOR
PROPOSAL
ONLY

					<p>THIRD ANGLE PROJECTION</p>		DIMENSIONS ARE INCHES		MODEL FILE		<p>VALVTECHNOLOGIES</p> <p>SEE TABLE DATA, TOLERANCE, THREAD TYPE AND www.valvtech.com</p>	
					<p>THIS DRAWING AND THE INFORMATION CONTAINED HEREIN ARE THE PROPERTY OF VALVTECHNOLOGIES. THE USER AGREES TO HOLD VALVTECHNOLOGIES HARMLESS FROM AND TO INDEMNIFY VALVTECHNOLOGIES AGAINST ALL DAMAGES, LOSSES AND EXPENSES, INCLUDING REASONABLE ATTORNEY'S FEES, THAT MAY BE INCURRED BY VALVTECHNOLOGIES IN CONNECTION WITH THE USE OF THIS DRAWING OR THE INFORMATION CONTAINED HEREIN, WITHOUT THE WRITTEN APPROVAL OF VALVTECHNOLOGIES.</p>		FOR SALES ORDER		SCALE 1:1	WEIGHT LBS		
REV.	DATE	DESCRIPTION	EDN	BY	APR	ACTUATOR ORIENTATION IS FOR ILLUSTRATION PURPOSES ONLY		DRAWN BY DCE	DATE 02/18/13	ENGINEER RH	DATE 02/18/13	TITLE ANSI 2500# WITH VTI ACTUATOR ERV
											EOL121P5-VTIPKG	NO. 0